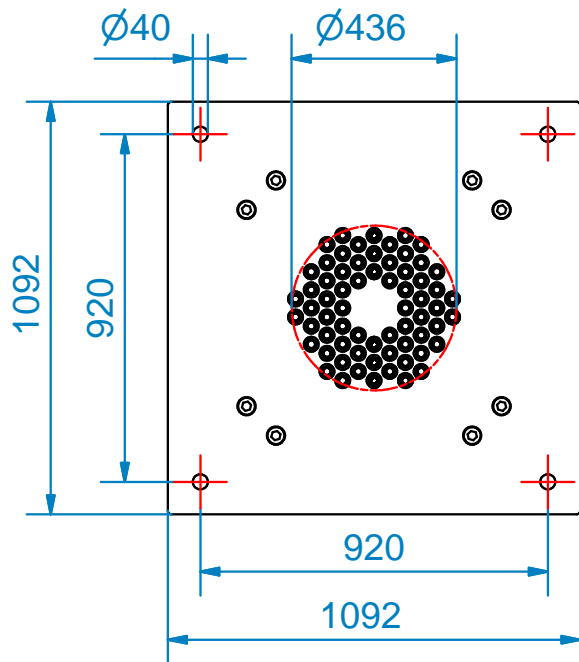
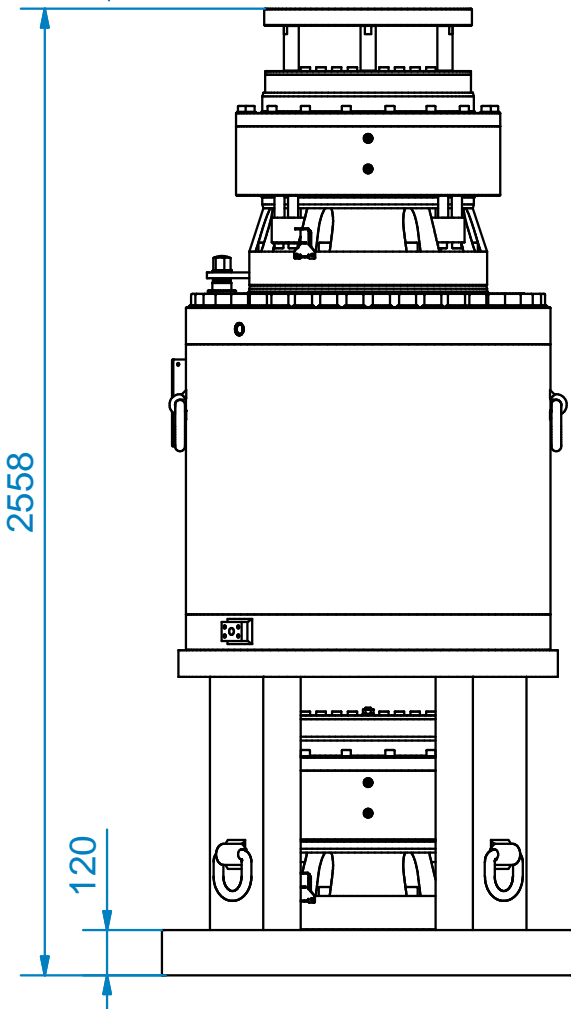
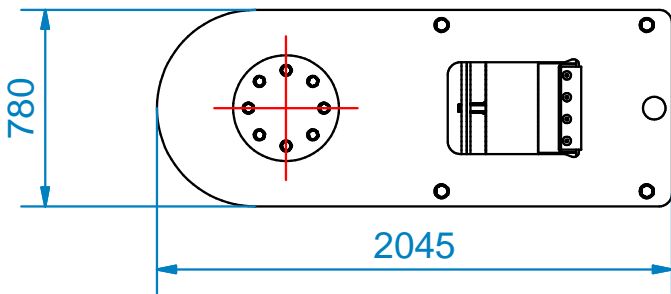
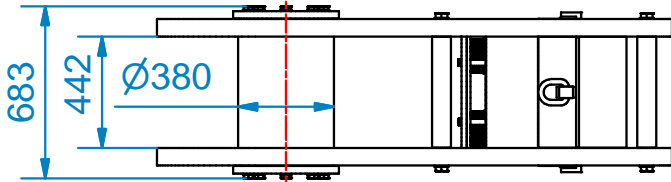
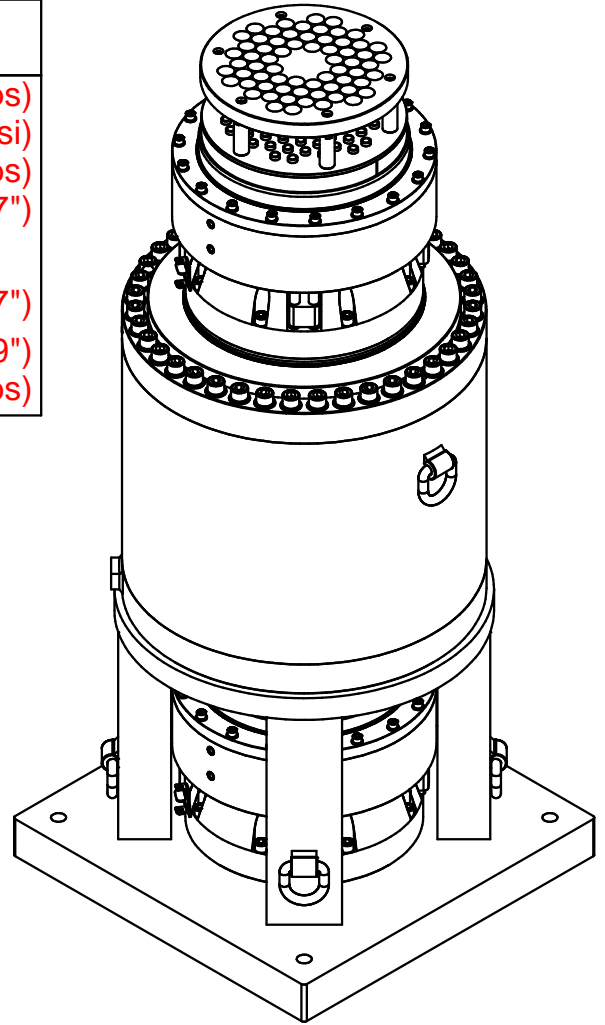


HSL10000

SWL:	10000 kN	(2240 kips)
Operating pressure:	310 bar	(4496 psi)
Self weight:	7650 kg	(16866 lbs)
Strand type:	18 mm - dyform	(0.7")
Number of strands:	66 nos.	
Bundle diameter:	Ø436 mm	(Ø17.17")
Stroke main jack:	480 mm	(18.9")
Self weight anchor:	2650 kg	(5842 lbs)



OPAALSTRAAT 44, 7554 TS HENGELO HOLLAND
 PO BOX 421, 7550 AK HENGELO HOLLAND
 TELEPHONE 074-2422045 FACSIMILE 074-2430338

ENERPAC
 COPYRIGHTS RESERVED

3rd ANGLE
 PROJECTION



STRAND JACK TYPE:

HSL10000

DRAW. NO.:

03051.01.00.00

SCALE:

1 : 20

FORM:

A4