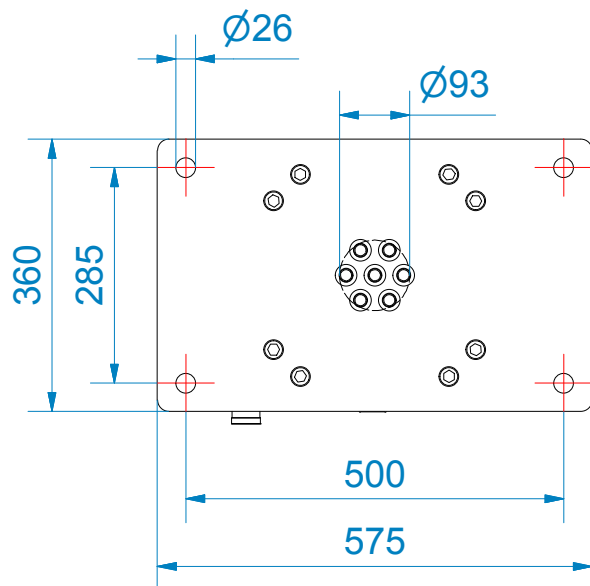
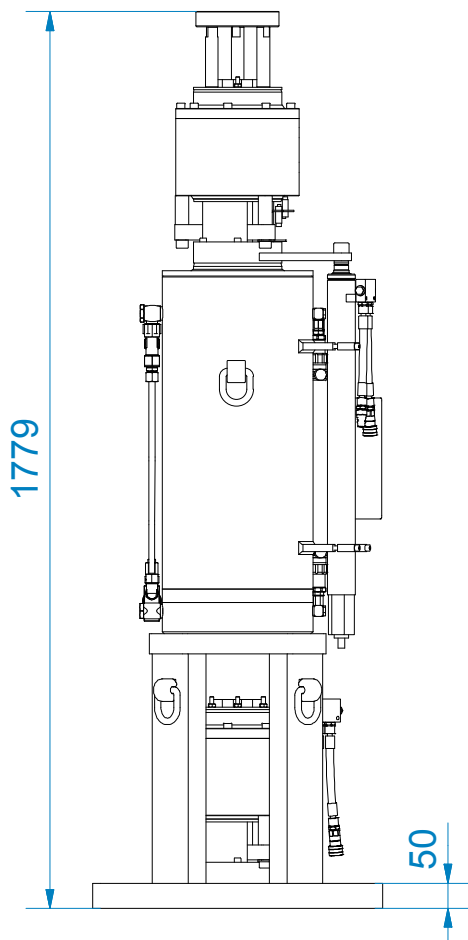
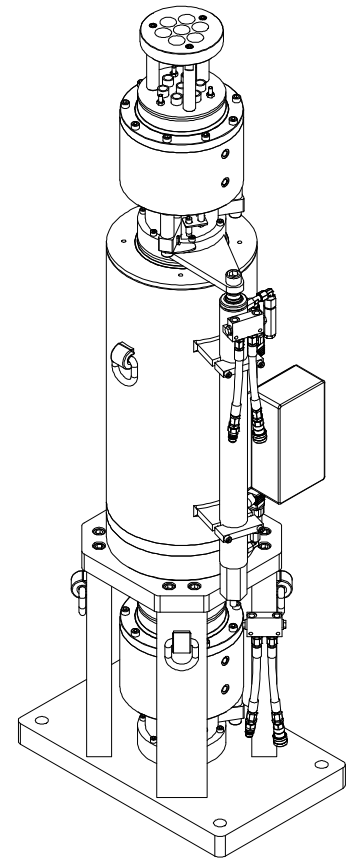
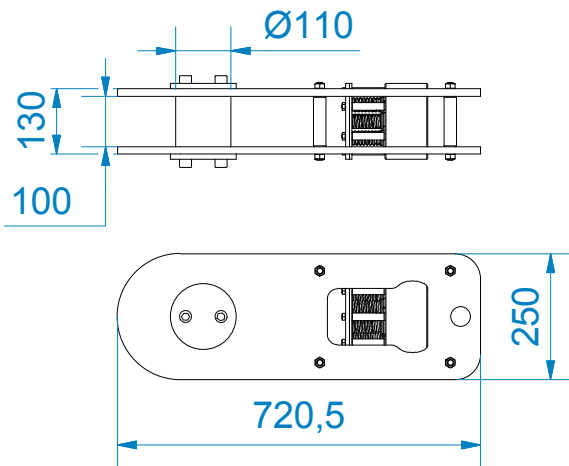


# HSL700

SWL:	700 kN	(154 kips)
Operating pressure:	205 bar	(2975 psi)
Self weight:	640 kg	(1410 lbs)
Strand type:	15,7 mm	(0.62")
Number of strands:	7 nos.	
Bundle diameter:	Ø93 mm	(Ø3.66")
Stroke main jack:	480 mm	(18.9")
Self weight anchor:	60 kg	(132 lbs)



OPAAALSTRAAT 44, 7554 TS HENGELO HOLLAND  
PO BOX 421, 7550 AK HENGELO HOLLAND  
TELEPHONE 074-2422045 FACSIMILE 074-2430338

**ENERPAC**  
COPYRIGHTS RESERVED

3rd ANGLE  
PROJECTION



STRAND JACK TYPE:

**HSL700**

DRAW. NO: 02603.01.00.00

SCALE: 1 : 15

FORM: **A4**