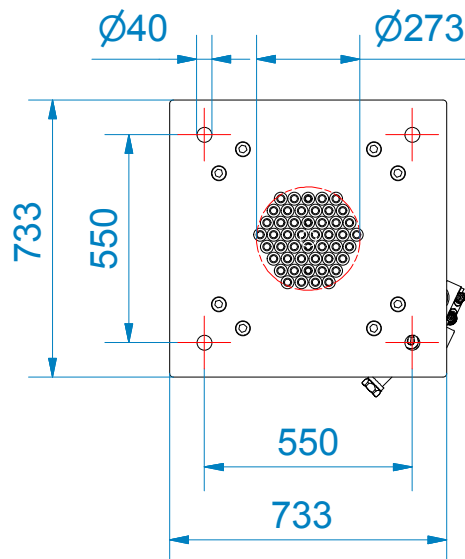
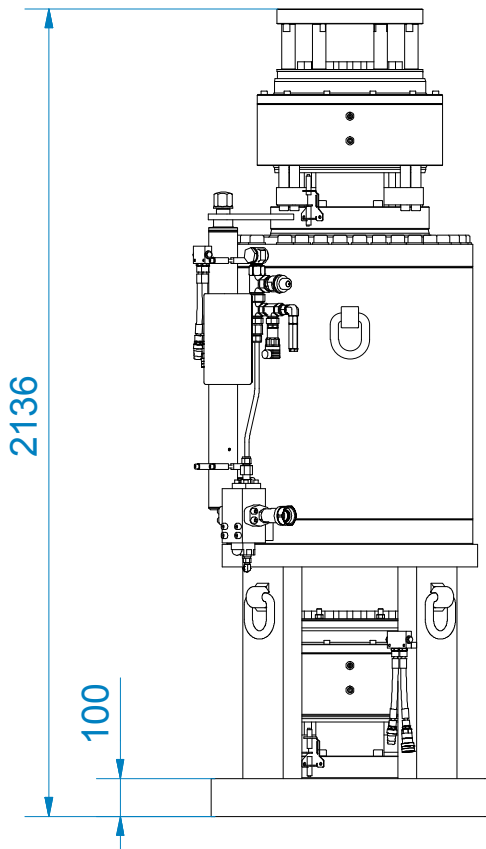
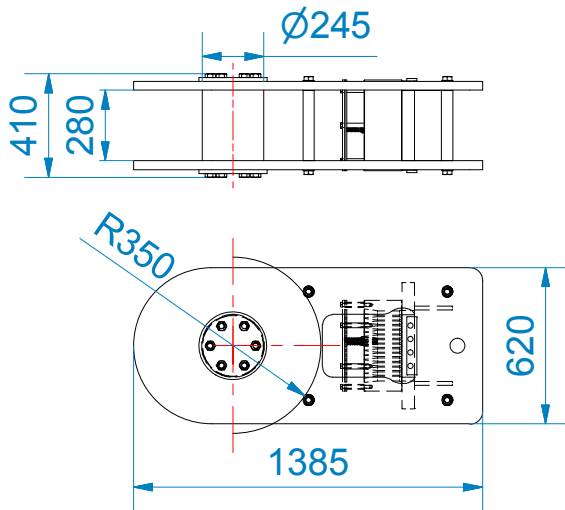
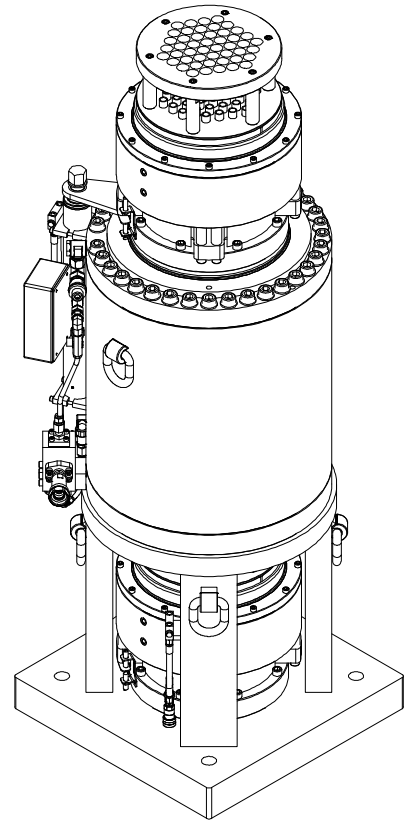


HSL5000

SWL:	5000 kN	(1100 kips)
Operating pressure:	350 bar	(5076 psi)
Self weight:	3150 kg	(6930 lbs)
Strand type:	15,7 mm	(0.62")
Number of strands:	48 nos.	
Bundle diameter:	Ø273 mm	(Ø10.75")
Stroke main jack:	480 mm	(18.9")
Self weight anchor:	750 kg	(1650 lbs)



OPAAALSTRAAT 44, 7554 TS HENGELO HOLLAND
 PO BOX 421, 7550 AK HENGELO HOLLAND
 TELEPHONE 074-2422045 FACSIMILE 074-2430338

ENERPAC
 COPYRIGHTS RESERVED

3rd ANGLE
 PROJECTION



STRAND JACK TYPE:

HSL5000

DRAW. NO: 02606.01.00.00

SCALE: 1 : 20

FORM: **A4**