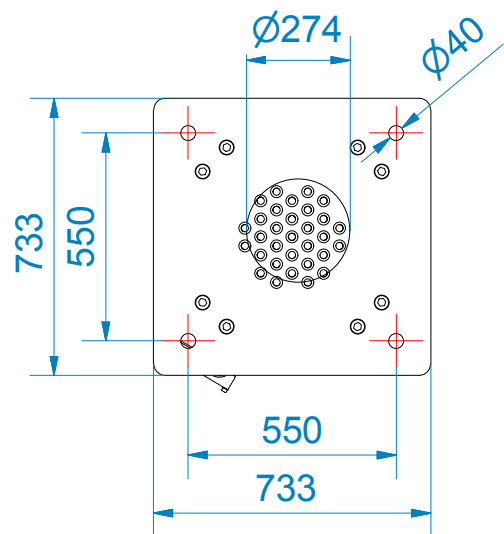
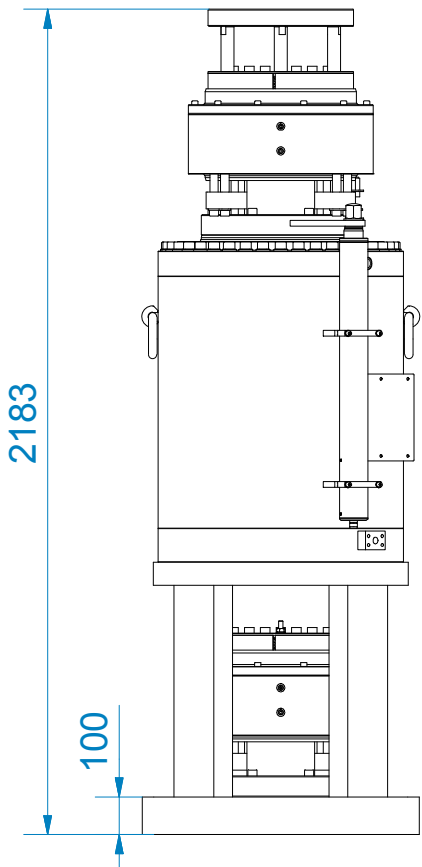
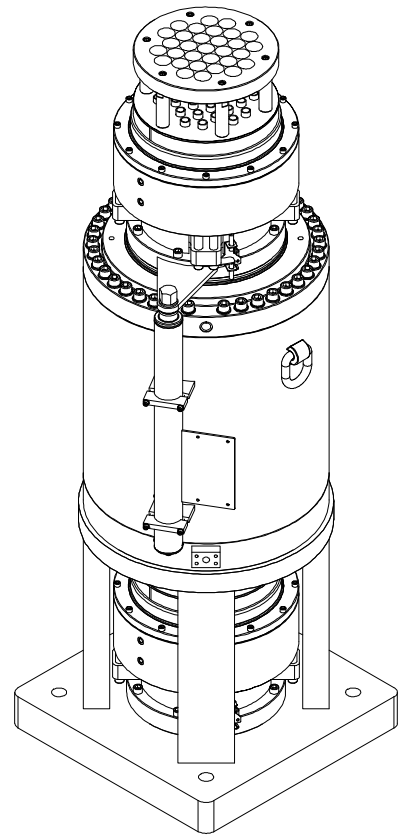
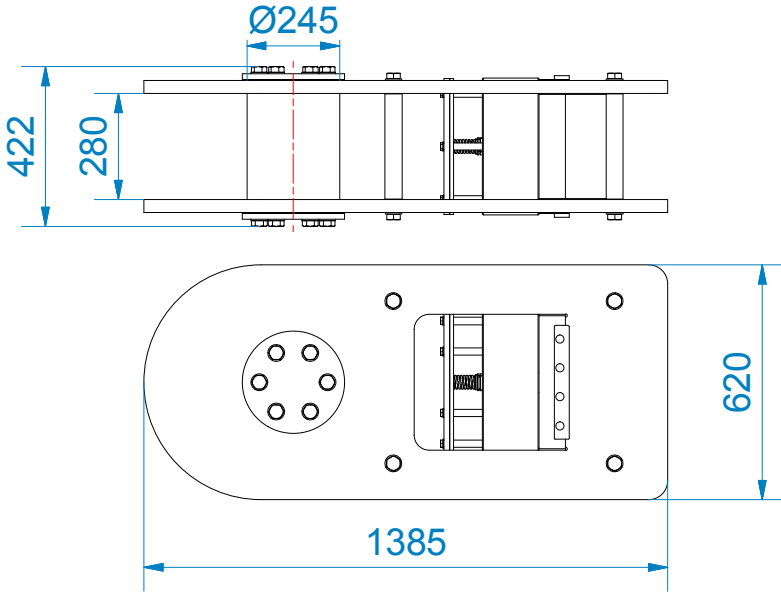


HSL4500

SWL:	4500 kN	(990 kips)
Operating pressure:	310 bar	(4496 psi)
Self weight:	3050 kg	(6724 lbs)
Strand type:	18 mm - dyform	(0.7")
Number of strands:	31 nos.	
Bundle diameter:	Ø274 mm	(Ø10.8")
Stroke main jack:	480 mm	(18.9")
Self weight anchor:	700 kg	(1543 lbs)



OPAAALSTRAAT 44, 7554 TS HENGELO HOLLAND
PO BOX 421, 7550 AK HENGELO HOLLAND
TELEPHONE 074-2422045 FACSMILE 074-2430338

ENERPAC
COPYRIGHTS RESERVED

3rd ANGLE
PROJECTION



STRAND JACK TYPE:

HSL 4500

DRAW. NO: 02611.01.00.00

SCALE: 1 : 20

FORM: **A4**