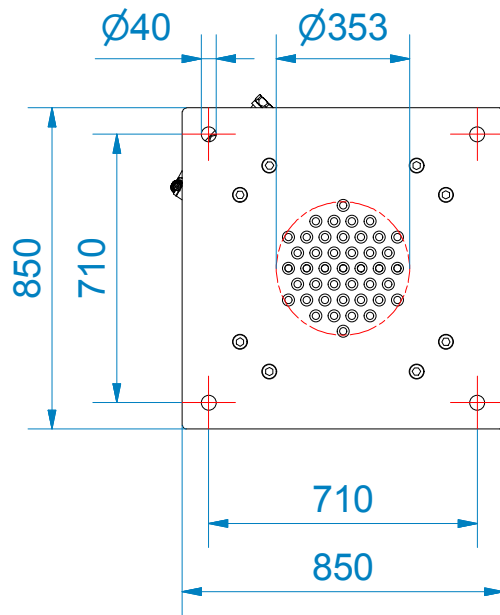
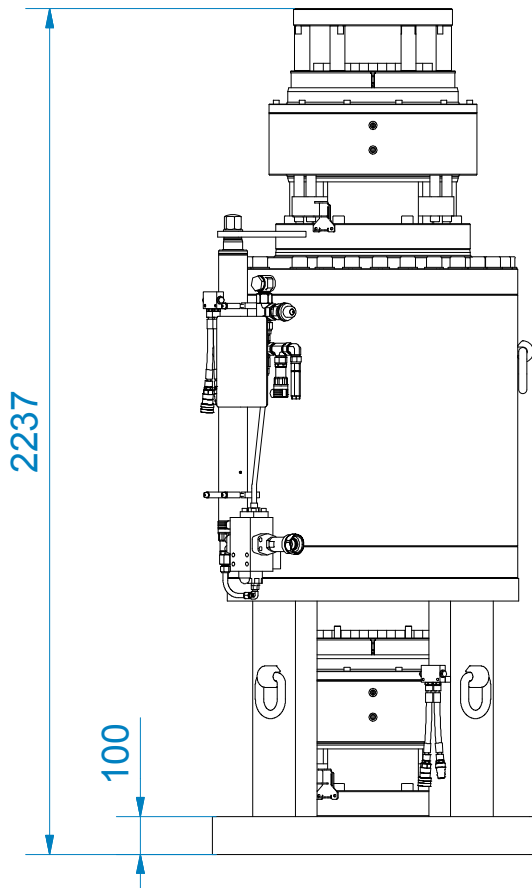
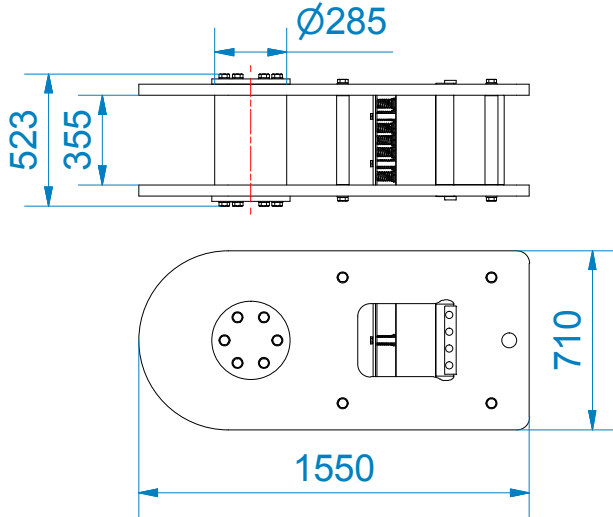
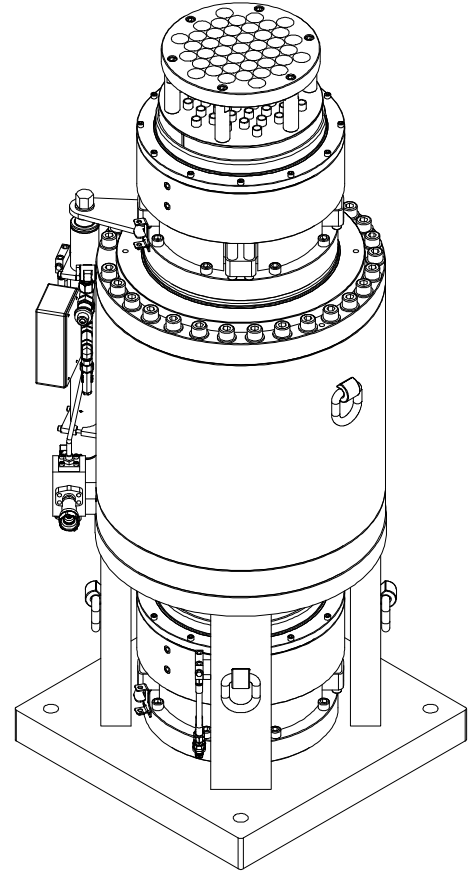


# HSL6500

SWL:	6500 kN	(1430 kips)
Operating pressure:	355 bar	(5150 psi)
Self weight:	3950 kg	(8690 lbs)
Strand type:	18 mm - dyform	(0.7")
Number of strands:	43 nos.	
Bundle diameter:	Ø353 mm	(Ø13.9")
Stroke main jack:	480 mm	(18.9")
Self weight anchor:	1190 kg	(2618 lbs)



OPAAALSTRAAT 44, 7554 TS HENGELO HOLLAND  
 PO BOX 421, 7550 AK HENGELO HOLLAND  
 TELEPHONE 074-2422045 FACSIMILE 074-2430338

**ENERPAC**  
 COPYRIGHTS RESERVED

3rd ANGLE  
 PROJECTION



STRAND JACK TYPE:

**HSL6500**

DRAW. NO.:

**02612.01.00.00**

SCALE:

**1 : 20**

FORM:

**A4**