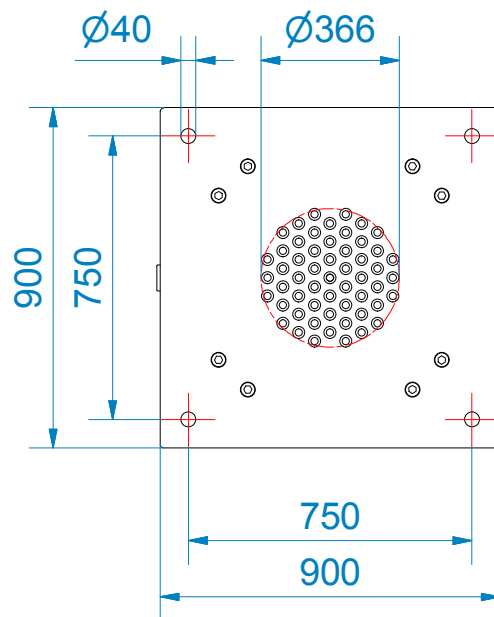
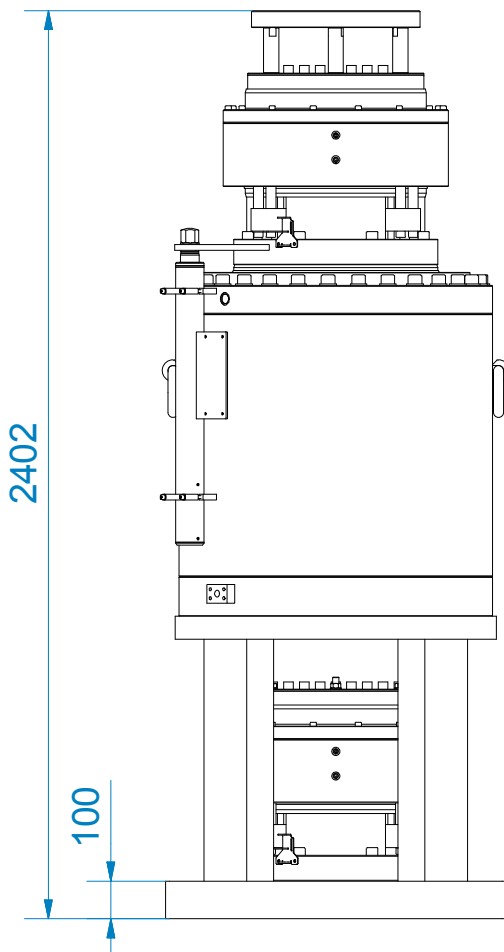
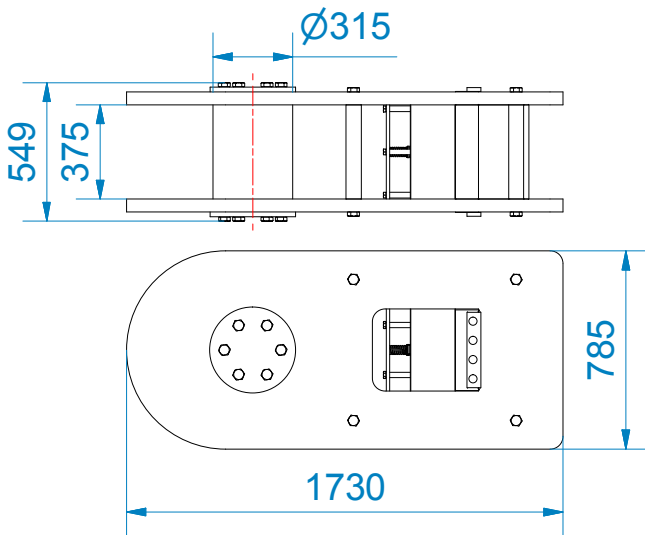
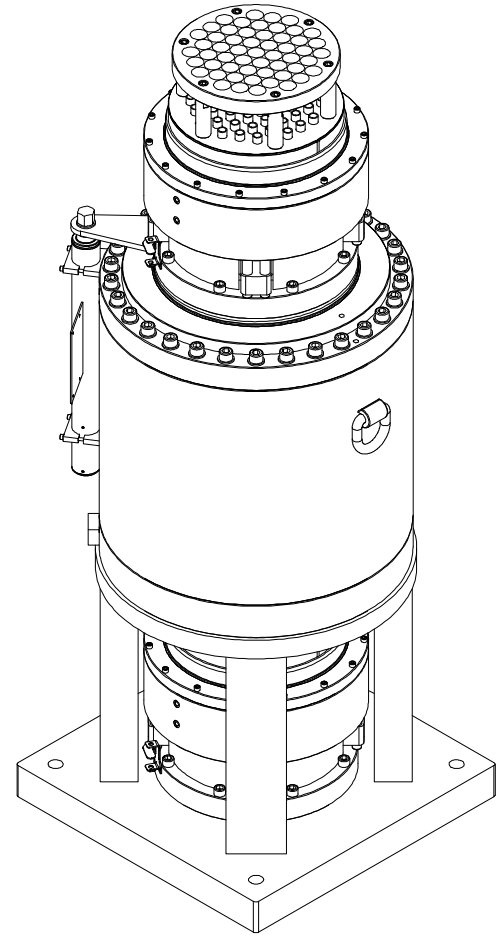


HSL8500

SWL:	8500 kN	(1870 kips)
Operating pressure:	350 bar	(5076 psi)
Self weight:	5000 kg	(11023 lbs)
Strand type:	18 mm - dyform	(0.7")
Number of strands:	55 nos.	
Bundle diameter:	Ø366 mm	(Ø14.41")
Stroke main jack:	480 mm	(18.9")
Self weight anchor:	1520 kg	(3350 lbs)



OPAAALSTRAAT 44, 7554 TS HENGELO HOLLAND
PO BOX 421, 7550 AK HENGELO HOLLAND
TELEPHONE 074-2422045 FACSIMILE 074-2430338

ENERPAC
COPYRIGHTS RESERVED

3rd ANGLE
PROJECTION



STRAND JACK TYPE:

HSL8500

DRAW. NO: 02613.01.00.00

SCALE: 1 : 20

FORM: **A4**