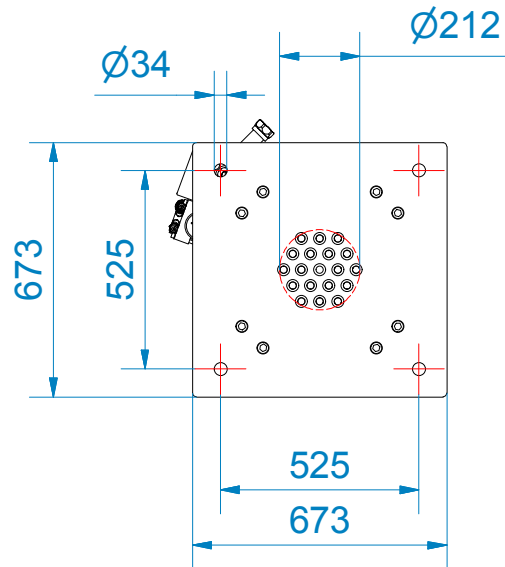
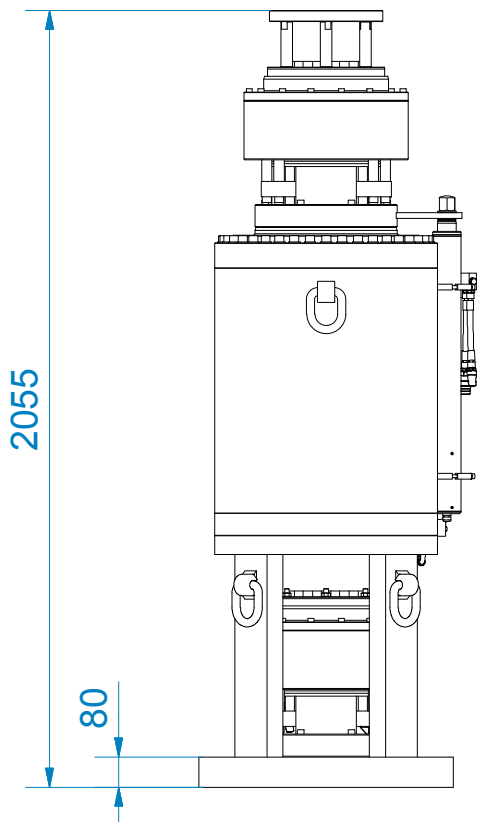
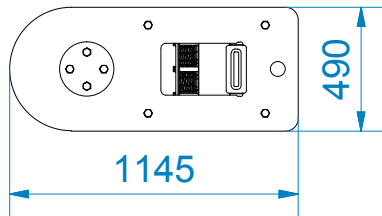
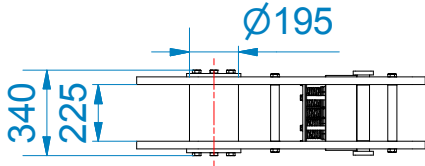
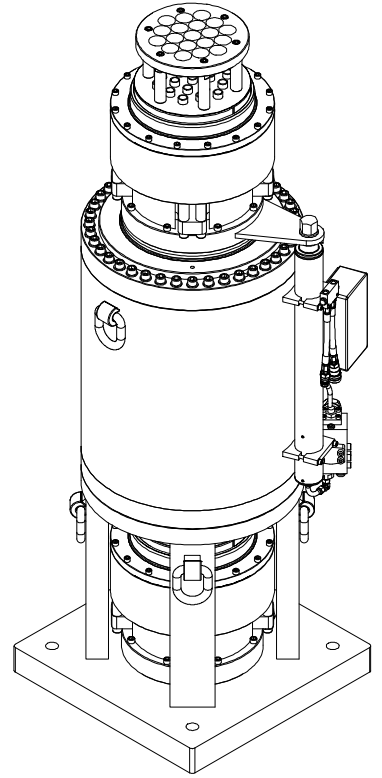


HSL3000

| | | |
|---------------------|---------|------------|
| SWL: | 3000 kN | (660 kips) |
| Operating pressure: | 230 bar | (3335 psi) |
| Self weight: | 2180 kg | (4290 lbs) |
| Strand type: | 18 mm | (0.62") |
| Number of strands: | 19 nos. | |
| Bundle diameter: | Ø212 mm | (Ø8.58") |
| Stroke main jack: | 480 mm | (18.9") |
| Self weight anchor: | 380 kg | (840 lbs) |



OPAAALSTRAAT 44, 7554 TS HENGELO HOLLAND
 PO BOX 421, 7550 AK HENGELO HOLLAND
 TELEPHONE 074-2422045 FACSIMILE 074-2430338



3rd ANGLE
 PROJECTION



STRAND JACK TYPE:

HSL3000

DRAW. NO.:

03135.01.00.00

SCALE:

1 : 20

FORM:

A4