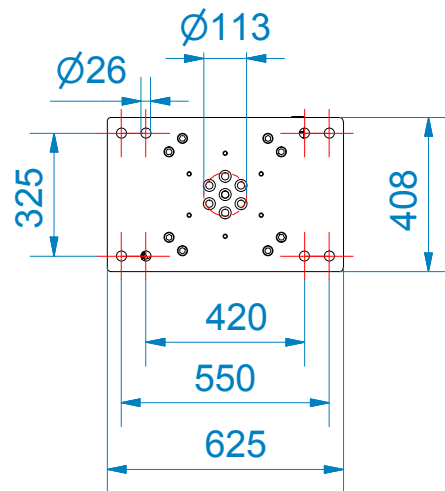
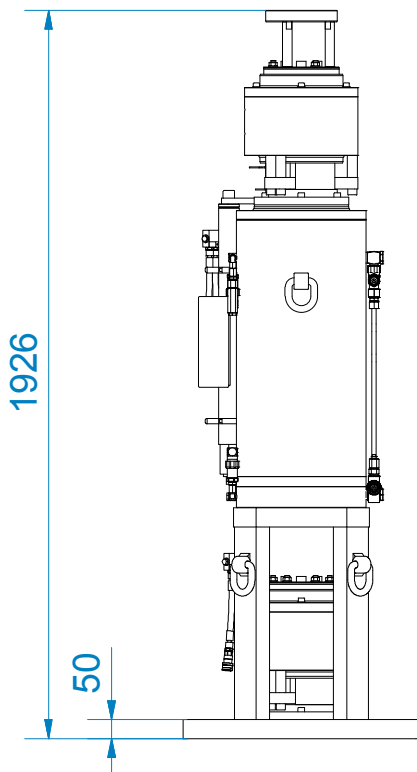
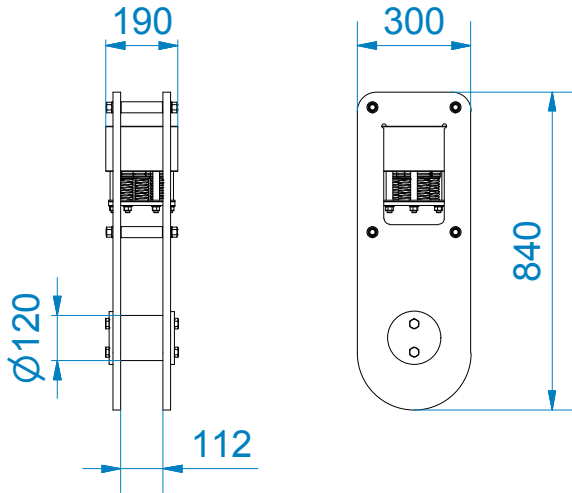
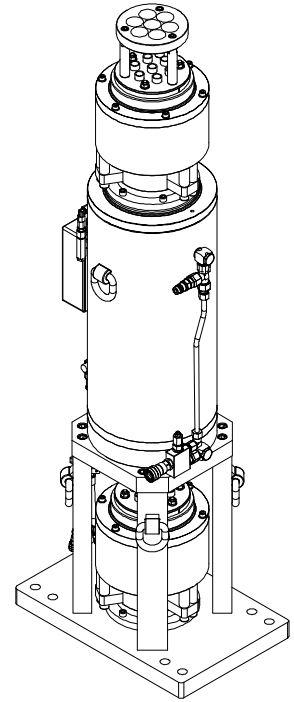


HSL1000

SWL:	1000 kN	(225 kips)
Operating pressure:	210 bar	(3045 psi)
Self weight:	850 kg	(1874 lbs)
Strand type:	18 mm	(0.7")
Number of strands:	7 nos.	
Bundle diameter:	Ø133 mm	(Ø5.2")
Stroke main jack:	480 mm	(18.9")
Self weight anchor:	110 kg	(243 lbs)



OPAAALSTRAAT 44, 7554 TS HENGLO HOLLAND
PO BOX 421, 7550 AK HENGLO HOLLAND
TELEPHONE 074-2422045 FACSIMILE 074-2430338

ENERPAC
COPYRIGHTS RESERVED

3rd ANGLE
PROJECTION



STRAND JACK TYPE:

HSL1000

DRAW. NO.:

03161.01.00.00

SCALE:

1 : 20

FORM:

A4