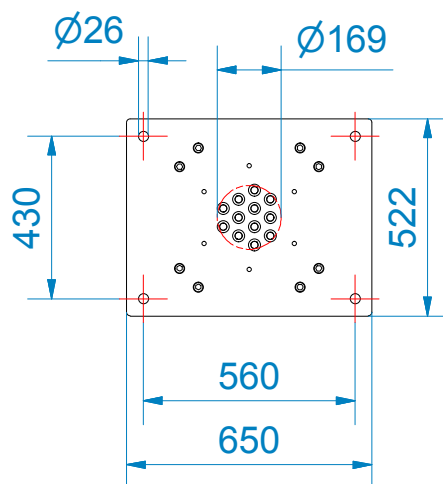
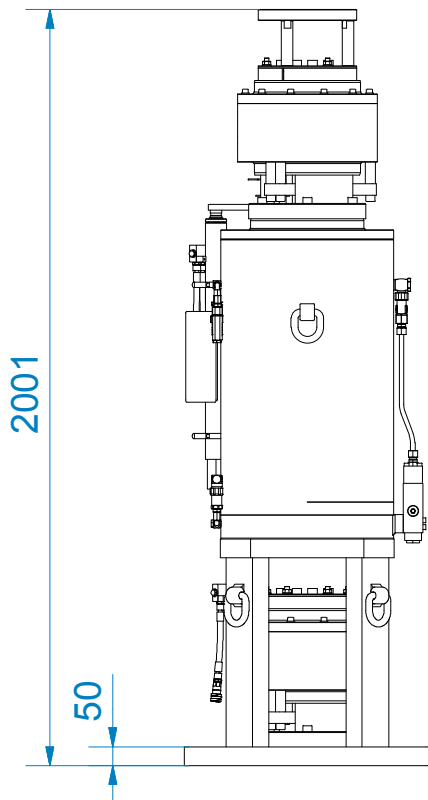
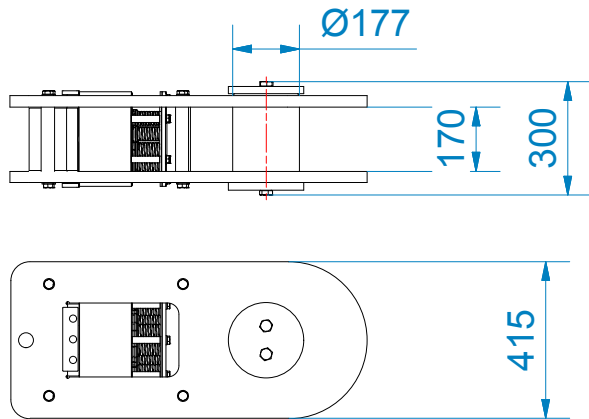
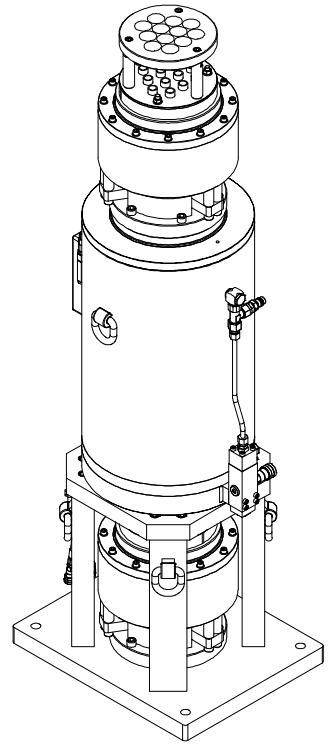


HSL2000

SWL:	2000 kN	(440 kips)
Operating pressure:	230 bar	(3335 psi)
Self weight:	1400 kg	(3086 lbs)
Strand type:	18 mm	(0.7")
Number of strands:	12 nos.	
Bundle diameter:	Ø169 mm	(Ø6.65")
Stroke main jack:	480 mm	(18.9")
Self weight anchor:	260 kg	(570 lbs)



OPAAALSTRAAT 44, 7554 TS HENGLO HOLLAND
 PO BOX 421, 7550 AK HENGLO HOLLAND
 TELEPHONE 074-2422045 FACSMILE 074-2430338



3rd ANGLE
 PROJECTION



STRAND JACK TYPE:

HSL2000 18

DRAW. NO: **03234 HSL 2000**

SCALE: **1 : 20**

FORM: **A4**