

Auxiliary Arm KP Series [KP-AUX1T, KP-VAR, KP-VA1, KP-AUX2, KP-AUX5] [KP-AUX-C/E/B/D]



KP-AUX1T



Auxiliary Arm

KP-AUX1T

- Provide with the rocker arm , enable to revolve on 360 degrees.
- Main shaft can be extended to maximum 830mm
- Power arm inside includes nitrogen gas stick , allow user to grab the arm easily, automatic lift up to position after finishing the work .
- Easy to assemble and Disassemble.
- Optional accessory KP-VA1, KP-VAR(90 degree adapter) is available for user to Adjust angle in accordance with the object to be fastened.

KP-AUX2, KP-AUX5

- Main shaft can be extended to maximum 340mm
- Steady bearing in horizontal direction for screwdriver to act in vertical precisely.
- Utilize KL-1200 to suspend the spring hoist vertically and capable of making adjustment at screwdriver's weight.
- Steady screwdriver with 4 sides of plate , the screwdriver head of horizontal and vertical position becomes more accurate.
- Applying to low torque , high precision screwdriver, most suitable for small objects.



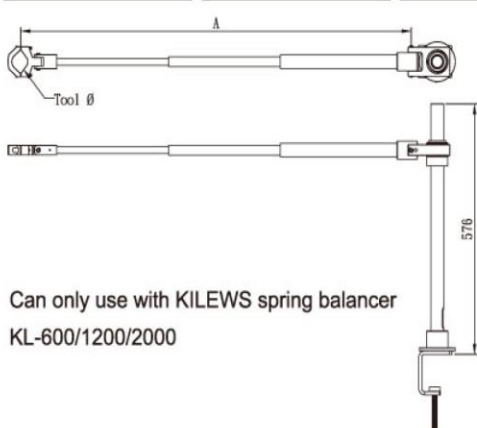
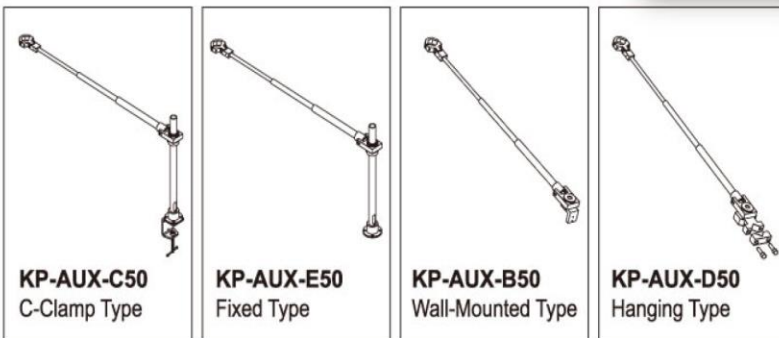
KP-VAR, KP-VA1

Specifications

Model	KP-AUX1T	KP-AUX2	KP-AUX5
Description	Suspension Arm	Suspension Rope	Suspension Rope
Reach	50mm~830mm	50mm~340mm	50mm~340mm
Models	SK-8 Series SK-9 Series SKD-8000 Series SKD-BN700 Series	SK-2000L SK-2200L SK-2300L SK-BN200 Series	SKD-BN500 Series SKD-BE500 Series SKD-5000 Series
Remark	KP-VA1 adaptable	Spring Balancer KL-1200 adaptable	Spring Balancer KL-1200 adaptable

※ The auxiliary arm can be used only with Kilews electric screwdrivers.

KP-AUX5 KP-AUX2



Can only use with KILEWS spring balancer KL-600/1200/2000

Specifications

Model No.	Max torque (Nm)	A(mini/maxi) cm	Tool Ø diameter(mm)
KP-AUX-C50-1000	50	43~100	38.5~52
KP-AUX-C50-1200	50	50~120	38.5~52
KP-AUX-E50-1000	50	43~100	38.5~52
KP-AUX-E50-1200	50	50~120	38.5~52
KP-AUX-B50-1000	50	43~100	38.5~52
KP-AUX-B50-1200	50	50~120	38.5~52
KP-AUX-D50-1000	50	43~100	38.5~52
KP-AUX-D50-1200	50	50~120	38.5~52

