

# Threaded cylinders *Application & selection*

Shown: WRT-22, CYDA-15, WMT-39



▶ Threaded cylinders for workpiece positioning, holding and ejecting applications where space is at a premium. The advance and retract mode of double-acting models allow installation of clamping accessories to the plunger for pull and push action. Cylinders can be mounted with horizontal bracket to position the workpiece against the stops. Ideal for supporting or positioning a part.

## Fine positioning and convenient installation

...can be fixtured into manual strap or bridge clamp assemblies

- Maximum clamping force in a compact design
- Threaded body allows exact positioning and easy installation
- Center-tapped plungers allow a variety of attachments
- Single-acting spring return models simplify hydraulic tubing requirements
- Double-acting models are ideal for applications requiring powered pulling or fast automated control
- Removable base allows CYDA-15 to be threaded into a custom manifold.

## **i** Single or Double acting

### Single acting

- The obvious choice when there are few system restrictions, and there are not many units retracting simultaneously
- Fewer valving requirements which results in a less complex circuit.

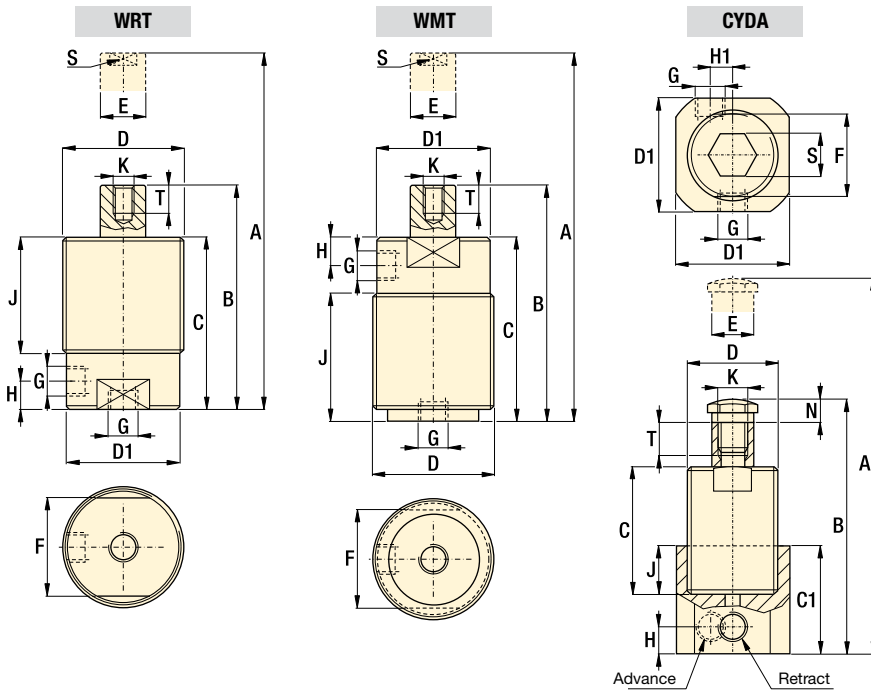
### Double acting

- Used when greater control is required during the unclamp cycle
- When timing sequences are critical
- Less sensitive to system back pressures, resulting from long tube lengths or numerous components being retracted at the same time.

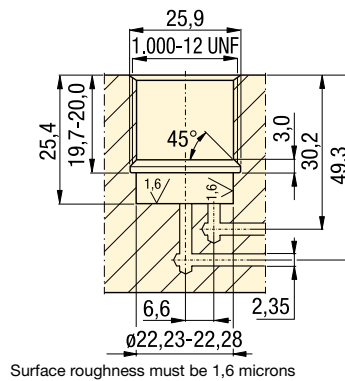
## **globe** Product selection

Cylinder capacity at maximum pressure		Stroke mm	Model number	Effective area		Oil capacity		Operating pressure bar
kN push	kN pull			cm <sup>2</sup> push	cm <sup>2</sup> pull	cm <sup>3</sup> push	cm <sup>3</sup> pull	
<b>▼ Single acting</b>								
17,4	–	12,7	<b>WRT-21</b>	5,10	–	0,33	–	40-350
17,4	–	25,4	<b>WRT-22</b>	5,10	–	0,66	–	40-350
<b>▼ Double acting</b>								
5,3	2,7	39,6	<b>CYDA-15</b>	2,65	1,29	10,16	5,08	10-210
17,4	12,0	11,9	<b>WMT-39</b>	5,10	3,48	6,39	4,42	10-350
17,4	12,0	24,9	<b>WMT-40</b>	5,10	3,48	12,95	8,85	10-350

**Note:** - Seal material CYDA-15: Buna-N, Polyurethane  
- Seal material WMT and WRT series: Buna-N, Polyurethane, Teflon.



Manifold dimensions using CYDA-15 without base

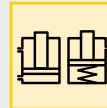


Force: 5,3 - 17,4 kN

Stroke: 11,9 - 39,6 mm

Pressure: 10 - 350 bar

- E** Cilindros roscados
- F** Vérins corps filetés
- D** Einschraubzylinder



### Accessory chart

Body Thread	Mounting Flange	Flange Nut	Plunger Thread	Contact Bolt
<b>D</b>	Sold separately	Sold separately	<b>K</b>	Sold separately
1.000-12 UN	MF-251	FN-251	0.250-28 UN	BS-61
1.375-18 UN	MF-351	FN-351	0.313-24 UN	BS-81

### Options

Cylinder accessories

86 ▶



### Important

Apply Loctite 222 or equivalent to threads and torque CYDA-15 in cavity to 8-11 Nm. Cavity must be designed to withstand hydraulic forces.

### Product dimensions in mm [ ]

Model number	A	B	C	C1	D	D1	E	F	G	H	H1	J	K	N	S	T	kg
							ø	ø					UNF				
<b>▼ Single acting</b>																	
WRT-21	95,3	82,6	74,9	-	1.375-18 UNEF	31,2	19,1	26,9	SAE #2	15,7	-	50,8	.250-28	-	12,7	8,1	0,5
WRT-22	120,7	95,3	87,6	-	1.375-18 UNEF	31,2	19,1	26,9	SAE #2	15,7	-	63,5	.250-28	-	12,7	8,1	0,6
<b>▼ Double acting</b>																	
CYDA-15	151,9	112,3	80,1	44,5	1.000-12 UNF	31,8	12,7	22,1	1/8" NPTF	9,7	5,1	25,4	.313-24	7,9	12,7	10,4	0,5
WMT-39	95,0	83,1	76,0	-	1.375-18 UNEF	33,0	14,2	26,9	1/8" NPTF	18,5	-	52,1	.250-28	-	11,9	9,9	0,5
WMT-40	120,9	96,0	88,9	-	1.375-18 UNEF	33,0	14,2	26,9	1/8" NPTF	18,5	-	65,0	.250-28	-	11,9	9,9	0,5