

L2068 Rev A 08/02

Index:

English	1-5
Français	6-10
Deutsch	11-15
Italiano	16-20
Español	21-25
Nederlands	26-30
Portuguese	31-35
日本語	36-40



Repair Parts Sheets for this product are available from the Enerpac web site at www.enerpac.com, or from your nearest Authorized Enerpac Service Center or Enerpac Sales office.

2.0 SAFETY ISSUES



Read all instructions, warnings and cautions carefully. Follow all safety precautions to avoid personal injury or property damage during system operation. Enerpac cannot be responsible for damage or injury resulting from unsafe product use, lack of maintenance or incorrect product and/or system operation. Contact Enerpac when in doubt as to the safety precautions and operations. If you have never been trained on high-pressure hydraulic safety, consult your distribution or service center for a free Enerpac Hydraulic safety course.

Failure to comply with the following cautions and warnings could cause equipment damage and personal injury.

A **CAUTION** is used to indicate correct operating or maintenance procedures and practices to prevent damage to, or destruction of equipment or other property.

A **WARNING** indicates a potential danger that requires correct procedures or practices to avoid personal injury.

A **DANGER** is only used when your action or lack of action may cause serious injury or even death.



WARNING: Wear proper personal protective gear when operating hydraulic equipment.



WARNING: Stay clear of loads supported by hydraulics. A cylinder, when used as a load lifting device, should never be used as a load holding device.

After the load has been raised or lowered, it must always be blocked mechanically.



DANGER: To avoid personal injury keep hands and feet away from cylinder and workpiece during operation.



WARNING: Do not exceed equipment ratings. Never attempt to lift a load weighing more than the capacity of the cylinder. Overloading causes equipment failure and possible personal injury. The cylinders are designed for a max. pressure of 350 bar [5,000 psi]. Do not connect a jack or cylinder to a pump with a higher pressure rating.



Never set the relief valve to a higher pressure than the maximum rated pressure of the pump. Higher settings may result in equipment damage and/or personal injury.



WARNING: The system operating pressure must not exceed the pressure rating of the lowest rated component in the system. Install pressure gauges in the system to monitor operating pressure. It is your window to what is happening in the system.



CAUTION: Avoid damaging hydraulic hose. Avoid sharp bends and kinks when routing hydraulic hoses. Using a bent or kinked hose will cause severe back-pressure. Sharp bends and kinks will internally damage the hose leading to premature hose failure.



Do not drop heavy objects on hose. A sharp impact may cause internal damage to hose wire strands. Applying pressure to a damaged hose may cause it to rupture.



IMPORTANT: Do not lift hydraulic equipment by the hoses or swivel couplers. Use the carrying handle or other means of safe transport.



CAUTION: Keep hydraulic equipment away from flames and heat. Excessive heat will soften packings and seals, resulting in fluid leaks. Heat also weakens hose materials and packings. For optimum performance do not expose equipment to temperatures of 65 °C [150 °F] or higher. Protect hoses and cylinders from weld spatter.



DANGER: Do not handle pressurized hoses. Escaping oil under pressure can penetrate the skin, causing serious injury. If oil is injected under the skin, see a doctor immediately.



WARNING: Only use hydraulic cylinders in a coupled system. Never use a cylinder with unconnected couplers. If the cylinder becomes extremely overloaded, components can fail catastrophically causing severe personal injury.



IMPORTANT: Hydraulic equipment must only be serviced by a qualified hydraulic technician. For repair service, contact the Authorized ENERPAC Service Center in your area. To protect your warranty, use only ENERPAC oil.



WARNING: Immediately replace worn or damaged parts by genuine ENERPAC parts. Standard grade parts will break causing personal injury and property damage. ENERPAC parts are designed to fit properly and withstand high loads.

3.0 DESCRIPTION

These hydraulically advanced work supports provide additional support to avoid excessive movement, vibrations, or deflection of the workpiece during machining.

As alternatives, spring advanced work supports may also be used as either air spring loaded or as air advanced units by simply removing the internal adjustable spring and attaching a low pressure air line to the air breather vent port.

4.0 SPECIFICATIONS

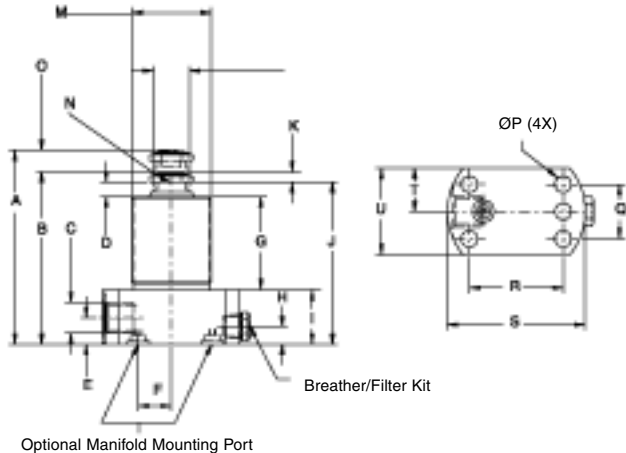
5.0 INSTALLATION

1. Locate the work supports at the lowest point of the fixture's hydraulic system to aid in venting. Work supports must be purged of air by cycling several times and allowing air in the system to vent at the highest point in the system.
2. Install the work supports by either threading into the fixture, using the accessory jam nuts, or bolting the flange onto the fixture. Mount the work support so that the plunger is at the approximate middle of its stroke when contacting the workpiece in the fixture. If the work support is to be hydraulically manifold mounted to the fixture through the bottom port, the port screw plugs and copper gaskets must first be removed (see item B, Figure 2). Lubricate the provided o-rings and install them (see Figure 2) in the counterbore around the port prior to mounting and bolting down the work support. Be sure that the o-rings do not get pinched or damaged during this mounting as leakage could result. To ensure that the manifold mounting does not leak, provide a fixture mounting surface with flatness within .003 inch (0.08 mm) and a surface roughness not to exceed 32 uin. rms. (Ra 0,8).

Specification Table

Model No.	Pressure Range	Stroke In. (mm)	Capacity at Maximum Pressure lbs. (kg)	Oil Capacity cu. in. (cu. cm.)	Spring Applied Force @ MidPoint of Stroke lbs. (kg)	Support Deflection @ Max. Force in. (mm)
WFL111/112	0-5000 PSI 0-350 BAR	.38 (9,65)	2,500 (1136)	.06 (0,98)	4.3 (1,95)	.0025 (0,06)
WSL111/112	0-5000 PSI 0-350 BAR	.38 (9,65)	2,500 (1136)	.02 (0,33)	4.4 (1,99)	.0025 (0,06)

Figure 1



Model No.	A	B	C	D	E	F	G	H
WFL111	3.91 (99,3)	3.53 (89,7)	#4 SAE	.25 (6,4)	.56 (14,2)	.57 (14,5)	2.02 (51,3)	.70 (17,8)
WFL112	3.91 (99,3)	3.53 (89,7)	.25-19 BSPP	.25 (6,4)	.56 (14,2)	.57 (14,5)	2.02 (51,3)	.70 (17,8)
Model No.	I	J	K	L	M	N	O	P
WFL111	1.08 (27,4)	3.35 (85,1)	.18 (4,6)	Ø.629 (Ø16,0)	1.375-18 UNEF	M10x1,5 6G	.38 (9,7)	Ø.284 (Ø7,21)
WFL112	1.08 (27,4)	3.35 (85,1)	.18 (4,6)	Ø.629 (Ø16,0)	M35x1,5 6G	M10x1,5 6G	.38 (9,7)	Ø.284 (Ø7,21)
Model No.	Q	R	S	T	U	Dimensions inches (mm)		
WFL111	.94 (23,9)	1.62 (41,1)	Ø2.38 (Ø60,5)	.75 (19,1)	1.50 (38,1)			
WFL112	.94 (23,9)	1.62 (41,1)	Ø2.38 (Ø60,5)	.75 (19,1)	1.50 (38,1)			

Model No.	A	B	C	D	E	F	G	H
WSL111	3.35 (82,6)	2.97 (75,4)	#4 SAE	.25 (6,4)	.44 (11,2)	.57 (14,5)	1.60 (40,6)	.39 (9,9)
WSL112	3.35 (82,6)	2.97 (75,4)	.25-19 BSPP	.25 (6,4)	.44 (11,2)	.57 (14,5)	1.60 (40,6)	.39 (9,9)
Model No.	I	J	K	L	M	N	O	P
WSL111	.94 (23,9)	2.79 (70,9)	.18 (4,6)	Ø.629 (Ø16,0)	1.375-18 UNEF	M10x1.5 6G	.38 (9,7)	Ø.284 (Ø7,21)
WSL112	.94 (23,9)	2.79 (70,9)	.18 (4,6)	Ø.629 (Ø16,0)	M35x1,5 6G	M10x1,5 6G	.38 (9,7)	Ø.284 (Ø7,21)
Model No.	Q	R	S	T	U	Dimensions inches (mm)		
WSL111	.94 (23,9)	1.62 (41,1)	Ø2.38 (60,5)	.75 (19,1)	1.50 (38,1)			
WSL112	.94 (23,9)	1.62 (41,1)	Ø2.38 (60,5)	.75 (19,1)	1.50 (38,1)			



WARNING The fixture manifold must be capable of withstanding a hydraulic 5000 psi (350 bar) working pressure.

- If making hydraulic connections to the side port, remove the port plug and connect the hydraulic line using appropriate fittings. All hoses, lines, and fittings must be rated at 5000 psi (350 bar) minimum.

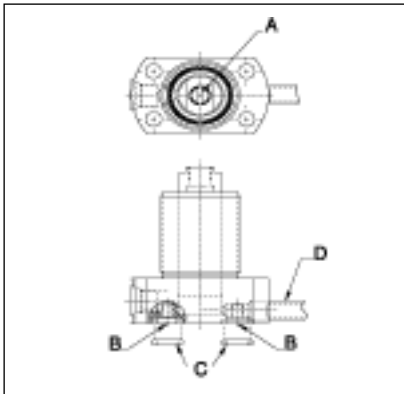


Figure 2

- A - spring force adjustment screw**
- B - portscrew (must be removed for manifold mounting)**
- C - O-ring (for manifold mounting)**
- D - breather vent tube**

- The hydraulic power pump should not exceed 5000 psi (350 bar) maximum. Power pumps must be large enough to provide a usable oil supply for the work supports, hoses, clamps, and all items in the system. Refer to Table 1 for maximum applied loads vs. operating pressure.
- When there is a risk of machining coolants, debris, and chips entering the cylinder via the breather vent (see Figure 2), plumb into the vent port with a line which runs to an area protected from chips, coolant, etc.

5.1 For Spring Advanced Work Supports Only:

If machining coolant and debris will create a problem of entering the work support, install the work support as an air spring type. This will blow air through the wiper and help prevent coolant and debris from entering the work support.

- Remove the contact bolt from within the work support plunger together with the spring inside.
- After removing the spring, replace the contact bolt utilizing Loctite 242 to seal the threads.
- Connect the air breather tube to the air vent port. By providing an adjustable zero to 5 psi (0,35 bar) air supply, the work support will now become an "air spring" loaded work support.
- Increase or decrease the contact force of the plunger against the workpiece by adjusting the air supply pressure.

NOTE: To prevent the part from lifting, do not exceed 5 psi (0,35) bar. To provide an air advanced type of work support, install an air line (described above) and add a

TABLE 1
MAXIMUM HOLDING FORCE VS. HYDRAULIC OPERATING PRESSURE

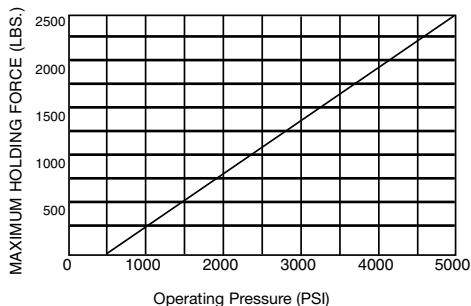
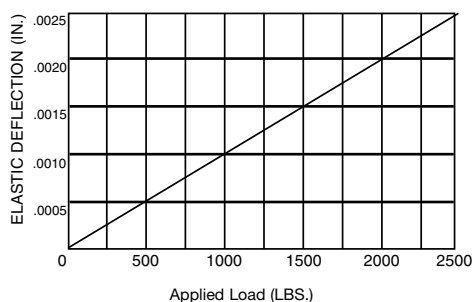


TABLE 2
SUPPORT PLUNGER DEFLECTION VS. APPLIED LOAD
(AT 5000 PSI OPERATING PRESSURE)



two-position manual air valve (VA-42) or a solenoid operated air valve (VAS-42) to the supply line. This valve will block the air supply and vent the work support in one position and provide air supply to the work support without venting in the other position.

NOTE: When the air supply is removed from the work support, the plunger will not retract by itself except under gravity when mounted vertically. However, the plunger will be free to move if bumped or contacted by a workpiece being loaded or unloaded.

5.2 Modifications

If the work support is to be used without a contact bolt, replace the bolt with the provided set screw. Seal this set screw with Loctite 242 and position flush with the top of the plunger.

6.0 OPERATION

1. Install work supports according to preceding instructions.
2. Place the workpiece into the fixture and above the work supports.

3. Activate hydraulic pressure to advance the plunger against the workpiece. Work support plunger position will be maintained until hydraulic pressure is released.
4. Clamp the workpiece in position to facilitate machining operations.
5. When machining is complete, release the clamps and then release the work support hydraulic pressure. The work supports will now be released and the plungers will retract.
6. Remove workpiece from the fixture.

NOTE: Do not exceed the specified maximum load on the support plunger. This load is the result of clamping forces from other hydraulic components such as swing clamps and machining forces. Table 1 shows the maximum applied load versus the pressure which locks the plunger. Table 2 shows the deflection of the support plunger when applying a load on the cylinder.

6.1 For Spring Advanced Work Supports Only:

Operation is similar for a work support using air as the spring. If air is used to advance the plunger, then the air valve must be shifted to advance the plunger after the workpiece is mounted in its final position in the fixture. The air valve can be released after the support is hydraulically locked.

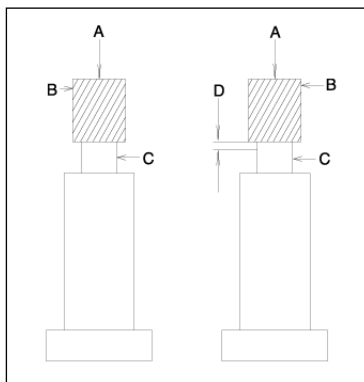


Figure 3

- A - Load** **B - Workpiece**
C - Support Plunger **D - Deflections**

7.0 MAINTENANCE AND SERVICE

Maintenance is required when wear and/or leakage is noticed. Occasionally inspect all components to detect any problem requiring service and maintenance. Enerpac offers Repair Part Kits for equipment maintenance. Repair Part Sheets are also available. Contact your Enerpac representative.

8.0 TROUBLESHOOTING

Problem	Possible Cause
Plunger will not advance completely when system maximum pressure is activated.	<ol style="list-style-type: none">1. Determine if hydraulic system is exceeding flow rate (see specifications table)2. Check for broken take up spring.3. Check plunger and sleeve for damage.
Work support raises part off of rest surfaces.	<ol style="list-style-type: none">1. Work support may be over-size for application.
Work Support plunger is slipping.	<ol style="list-style-type: none">1. Hydraulic pressure may be below minimum amount to hold plunger.2. Cutting forces may be exceeding the capacity of the work support.
Plunger will not retract. Plunger will not release to extended height.	<ol style="list-style-type: none">1. Hydraulic pressure has not been released from the the system.2. Excessive back pressure from small diameter tubing or tight bends.3. Check plunger and sleeve for damage or debris accumulation4. Check for broken return spring.
Work support leaks oil.	<ol style="list-style-type: none">1. Check seals for wear or damage.2. Connection to work supports may be leaking.

L2068 Rev A 08/02

Les vues éclatées de ce produit sont disponibles sur le site Enerpac www.enerpac.fr. Vous pouvez également les obtenir auprès de votre réparateur agréé Enerpac ou auprès d'Enerpac même.

1.0 INSTRUCTIONS IMPORTANTES RELATIVES À LA RÉCEPTION

Inspecter tous les composants pour vous assurer qu'ils n'ont subi aucun dommage en cours d'expédition. Les dommages subis en cours de transports ne sont pas couverts par la garantie. S'ils sont abîmés, aviser immédiatement le transporteur, qui est responsable des frais de réparation et de remplacement résultant de dommages en cours de transport.

LA SÉCURITÉ AVANT TOUT !

2.0 SÉCURITÉ



Lire attentivement toutes les instructions et mises en garde et tous les avertissements. Suivre toutes les précautions pour éviter d'encourir des blessures personnelles ou de provoquer des dégâts matériels durant le fonctionnement du système. Enerpac ne peut pas être tenue responsable de dommages ou blessures résultant de l'utilisation risquée du produit, d'un mauvais entretien ou d'une application incorrecte du produit et du système. En cas de doute sur les précautions ou les applications, contacter Enerpac.

Respecter les mises en garde et avertissements suivants sous peine de provoquer des dégâts matériels et des blessures corporelles.

Une mise en garde **ATTENTION** sert à indiquer des procédures d'utilisation et de maintenance correctes qui visent à empêcher l'endommagement voire la destruction du matériel ou d'autres dégâts.

Un **AVERTISSEMENT** indique un danger potentiel qui exige la prise de mesures particulières visant à écarter tout risque de blessure.

La mention **DANGER** n'est utilisée que lorsqu'une action ou un acte de négligence risque de causer des blessures graves, voire mortelles.



AVERTISSEMENT : Porter un équipement de protection personnelle adéquat pour utiliser un appareil hydraulique.



AVERTISSEMENT : Rester à l'écart de charges soutenues par un mécanisme hydraulique. Un vérin, lorsqu'il est utilisé comme monte-charge, ne doit jamais servir de support de charge. Après avoir monté ou abaissé la charge, elle doit être bloquée par un moyen mécanique.



DANGER : Pour écarter tout risque de blessures corporelles, maintenir les mains et les pieds à l'écart du vérin et de la pièce à usiner durant l'utilisation.



AVERTISSEMENT : Ne pas dépasser les valeurs nominales du matériel. Ne jamais essayer de soulever une charge d'un poids supérieur à la capacité du vérin. Une surcharge entraînera la panne du matériel et risque de provoquer des blessures corporelles. Les vérins sont conçus pour une pression maximale de 350 bar. Ne pas connecter de cric ou de vérin à une pompe affichant une pression nominale supérieure.



Ne jamais régler la soupape de sûreté à une pression supérieure à la pression nominale maximale de la pompe sous peine de provoquer des dégâts matériels et/ou des blessures corporelles.



AVERTISSEMENT : La pression de fonctionnement du système ne doit pas dépasser la pression nominale du composant du système affichant la plus petite valeur. Installer des manomètres dans le système pour surveiller la pression de fonctionnement. Ils permettent de vérifier ce qui se passe dans le système.



ATTENTION : Éviter d'endommager les tuyaux hydrauliques. Éviter de les plier et de les tordre en les mettant en place. Un tuyau plié ou tordu entraînera un fort retour de pression. Les plis et coudes prononcés endommageront par ailleurs l'intérieur du tuyau, provoquant son usure précoce.



Ne pas faire tomber d'objets lourds sur le tuyau. Un fort impact risque de causer des dégâts intérieurs (torons métalliques). L'application d'une pression sur un tuyau endommagé risque d'entraîner sa rupture.



IMPORTANT : Ne pas soulever le matériel hydraulique en saisissant ses tuyaux ou ses raccords articulés. Utiliser la poignée de transport ou procéder d'une autre manière sûre.



IMPORTANT : Le matériel hydraulique doit uniquement être réparé par un technicien hydraulique qualifié. Pour toute réparation, contacter le centre de réparation ENERPAC agréé le plus proche. Pour assurer la validité de la garantie, n'utiliser que de l'huile ENERPAC.



ATTENTION : Garder le matériel hydraulique à l'écart de flammes et d'une source de chaleur.

Une forte température amollira les garnitures et les joints et provoquera par conséquent des fuites. La chaleur affaiblit également les matériaux et les garnitures du tuyau. Pour une performance maximale, ne pas exposer le matériel à une température supérieure ou égale à 65 °C [150 °F]. Protéger tuyaux et vérins de projections de soudure.



DANGER : Ne pas manipuler les tuyaux sous pression. L'huile sous pression qui risque de s'en échapper peut pénétrer dans la peau et provoquer des blessures graves. En cas d'injection d'huile sous la peau, contacter immédiatement un médecin.



AVERTISSEMENT : Utiliser des vérins hydrauliques uniquement dans un système couplé. Ne jamais utiliser un vérin en présence de raccords déconnectés. La surcharge du vérin peut avoir des effets désastreux sur ses composants, qui peuvent causer des blessures graves.



AVERTISSEMENT : Remplacer immédiatement les pièces usées ou endommagées par des pièces ENERPAC authentiques. Les pièces de qualité standard se casseront et provoqueront des blessures et des dégâts matériels. Les pièces ENERPAC sont conçues pour s'ajuster parfaitement et résister à de fortes charges.

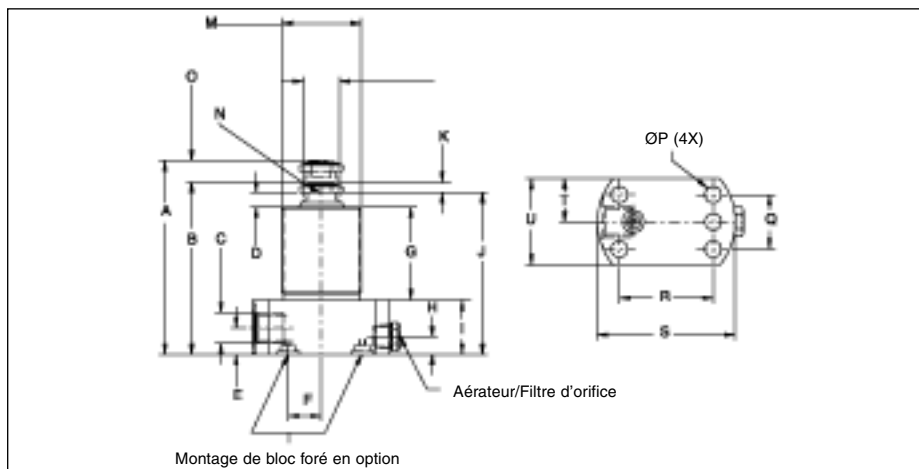
3.0 DESCRIPTION

Ces supports de travail à extension par fluide assurent un maintien supplémentaire, évitant l'excès de mouvement, de vibration ou de déformation de la pièce pendant l'usinage.

Des supports de travail à extension par ressort peuvent également être utilisés comme unités avec charge de ressort ou à extension pneumatique. Pour cela, il suffit de retirer le ressort interne réglable et de brancher une conduite d'air à basse pression sur l'orifice d'aération.

4.0 CARACTÉRISTIQUES

N° De Modèle	Plage De Pression Bar (PSI)	Course mm (in.)	Capacité à la Pression Maxi kg (lbs)	Contenance En Huile cm ³ (cu. in.)	Force Appliquée Par le ressort À Micourse kg (lbs.)	Flexion Du Support à la force maxi. mm (in.)
WFL111/112	0-350 Bar 0-5000 PSI	9,65 (.38)	1136 (2,500)	0,98 (.06)	1,95 (4.3)	0,06 .0025
WSL111/112	0-350 Bar 0-5000 PSI	9,65 (.38)	1136 (2,500)	0,33 (.02)	1,99 (4.4)	0,06 .0025



N° De Modele	A	B	C	D	E	F	G	H
WFL111	99,3 (3.91)	89,7 (3.53)	#4 SAE	6,4 (.25)	14,2 (.56)	14,5 (.57)	51,3 (2.02)	17,8 (.70)
WFL112	99,3 (99.3)	89,7 (89.7)	.25-19 BSPP	6,4 (.25)	14,2 (.56)	14,5 (.57)	51,3 (2.02)	17,8 (.70)
N° De Modele	I	J	K	L	M	N	O	P
WFL111	27,4 (1.08)	85,1 (3.35)	4,6 (.18)	Ø16,0 (Ø.629)	1.375-18 UNEF	M10x1,5 6G	9,7 (.38)	Ø7,21 (Ø.284)
WFL112	27,4 (1.08)	85,1 (3.35)	4,6 (.18)	Ø16,0 (Ø.629)	1.375-18 UNEF	M10x1,5 6G	9,7 (.38)	Ø7,21 (Ø.284)
N° De Modele	Q	R	S	T	U	Dimensions inches (mm)		
WFL111	23,9 (.94)	41,1 (1.62)	Ø60,5 (Ø2.38)	19,1 (.75)	38,1 (1.50)			
WFL112	23,9 (.94)	41,1 (1.62)	Ø60,5 (Ø2.38)	19,1 (.75)	38,1 (1.50)			

N° De Modele	A	B	C	D	E	F	G	H
WSL111	82,6 (3.35)	75,4 (2.97)	#4 SAE	6,4 (.25)	11,2 (.44)	14,5 (.57)	40,6 (1.60)	9,9 (.39)
WSL112	82,6 (3.35)	75,4 (2.97)	.25-19 BSPP	6,4 (.25)	11,2 (.44)	14,5 (.57)	40,6 (1.60)	9,9 (.39)
N° De Modele	I	J	K	L	M	N	O	P
WSL111	23,9 (.94)	70,9 (2.79)	4,6 (.18)	Ø16,0 (Ø.629)	1.375-18 UNEF	M10x1.5 6G	9,7 (.38)	Ø7,21 (Ø.284)
WSL112	23,9 (.94)	70,9 (2.79)	4,6 (.18)	Ø16,0 (Ø.629)	1.375-18 UNEF	M10x1.5 6G	9,7 (.38)	Ø7,21 (Ø.284)
N° De Modele	Q	R	S	T	U	Dimensions inches (mm)		
WSL111	23,9 (.94)	41,1 (1.62)	60,5 (2.38)	19,1 (.75)	38,1 (1.50)			
WSL112	23,9 (.94)	41,1 (1.62)	60,5 (2.38)	19,1 (.75)	38,1 (1.50)			

5.0 INSTALLATION

- Placer les supports de travail au point le plus bas du circuit hydraulique de la machine pour favoriser l'aération. Les supports de travail doivent être purgés de l'air en les actionnant plusieurs fois pour permettre à l'air de s'échapper au point le plus haut du circuit.
- Pour installer les supports, les visser sur la machine, utiliser les écrous de blocage ou boulonner la bride sur la machine. Monter le support de travail de façon à ce que la tige soit à environ la moitié de sa course lorsqu'elle entre en contact avec la pièce à usiner dans la machine. Si le support doit être monté avec un bloc foré de raccordement hydraulique monté sur l'orifice inférieur de la machine, retirer le bouchon fileté et le joint en cuivre de l'orifice (voir article B, figure 2). Lubrifier le joint torique fourni et l'installer (voir figure 2) dans le contre-alésage du tour de l'orifice avant de monter et de boulonner le support de travail. Veiller à ce que le joint torique ne soit pas pincé ou endommagé en cours de montage, ce qui pourrait causer une fuite. Pour s'assurer que le support de bloc foré ne fuit pas, la tolérance de planéité de la surface de montage de la machine doit être de 0,08 mm et la rugosité ne doit pas excéder 32 Ra 0,8.

- Si les connexions hydrauliques se font sur l'orifice latéral, retirer le bouchon de l'orifice et brancher la conduite au moyen des raccords appropriés. Tous les flexibles, toutes les conduites et tous les raccords doivent avoir une capacité nominale de 350 bar minimum.

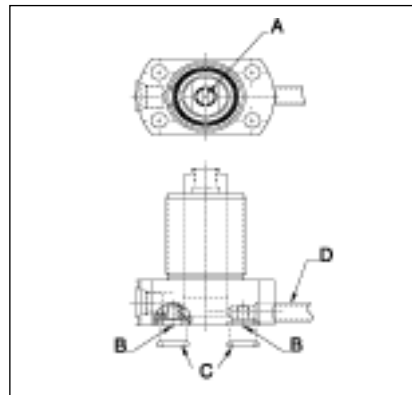


Figure 2

- A - Vis de réglage de la force du ressort
- B - Bouchon d'orifice (à retirer pour le montage du bloc foré)
- C - Joint torique (pour le montage du bloc foré)
- D - Tube d'aération



AVERTISSEMENT: Le bloc foré de la machine doit pouvoir supporter une pression hydraulique de service de 350 bar.

TABLEAU 1
FORCE DE MAINTIEN MAXIMUM ET PRESSION
HYDRAULIQUE DE FONCTIONNEMENT

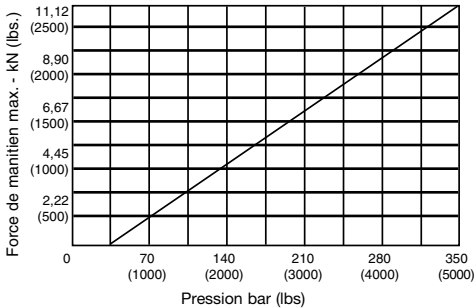
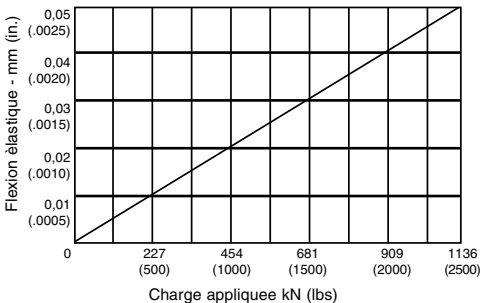


TABLEAU 2
FLEXION DU SUPPORT ET CHARGE APPLIQUÉE



- La puissance des pompes d'alimentation hydraulique ne doit pas excéder 350 bar. Ces pompes doivent être assez puissantes pour fournir une alimentation en huile suffisante aux supports de travail, flexibles, brides et autres articles du système. Voir le tableau 1 pour les charges maximum appliquées en fonction de la pression de service.
- Si des produits de refroidissement d'usinage, des débris, et des copeaux risquent de pénétrer dans le vérin par l'orifice d'aération (voir figure 2), plonger un flexible dans cet orifice dont l'autre extrémité aboutit à l'abri des contaminants.

5.1 Pour les supports de travail à extension par ressort seulement :

Si le produit de refroidissement d'usinage et les débris risquent de pénétrer dans le support de travail, utiliser la configuration de ressort pneumatique. L'air sera ainsi soufflé au travers du racleur, aidant à empêcher le produit de refroidissement et les débris de pénétrer dans le support de travail.

- Retirer le boulon de contact du support, avec le ressort interne.

- Une fois le ressort retiré, replacer le boulon de contact et le bloquer avec du Loctite 242.
- Brancher le tube sur l'orifice d'aération. En utilisant une alimentation en air réglable de 0 à 0,35 bar, l'appareil devient un support de travail chargé par "ressort pneumatique".
- Pour accroître ou réduire la force de contact de la tige contre la pièce, régler la pression d'air.

REMARQUE: ne pas dépasser 0,35 bar pour éviter le soulèvement de la pièce.

Pour obtenir un support de travail du type à extension par air comprimé, installer une conduite d'air (comme expliqué ci-dessus) et monter une vanne pneumatique manuelle à deux positions (VA-42) ou une électrovanne de commande pneumatique (VAS-42) sur la conduite.

Cette vanne bloquera l'alimentation pneumatique et aérera le support dans une position et fournira l'alimentation pneumatique sans l'aérer dans l'autre.

REMARQUE: lorsque l'alimentation pneumatique du support est coupée, la tige ne se rétracte plus d'elle-même, si ce n'est sous l'effet de la pesanteur dans le cas d'un montage vertical. Toutefois, la tige peut bouger librement si elle est heurtée ou touchée par une pièce train d'être chargée ou déchargée.

5.2 Modifications

Si le support de travail doit être utilisé sans boulon de contact, remplacer ce dernier par la vis de blocage fournie. Bloquer cette vis avec du Loctite 242, en veillant à ce qu'elle affleure le haut de la tige.

6.0 FONCTIONNEMENT

- Installer les supports de travail conformément aux instructions précédentes.
- Placer la pièce à usiner dans la machine, au-dessus des supports de travail.
- Ouvrir la pression hydraulique pour pousser la tige contre la pièce. La position de la tige du support de travail sera maintenue jusqu'à ce que la pression hydraulique soit relâchée.
- Briquer la pièce en place pour faciliter les opérations d'usinage.
- Une fois l'usinage terminé, desserrer les brides et relâcher la pression hydraulique du support. Les supports se désengagent et les tiges se rétractent.
- Retirer la pièce de la machine.

REMARQUE : ne pas dépasser la charge nominale maximum sur la tige du support. Cette charge est la résultante des forces de bridage des autres composants hydrauliques tels que les brides pivotantes et les forces d'usinage. Le tableau 1 montre la charge maximum appliquée par rapport à la pression de verrouillage de la tige. Le tableau 2 montre la déflexion de la tige du support lors de l'application d'une charge sur le vérin.

6.1 Supports de travail à extension par ressort uniquement :

Le fonctionnement est similaire lorsque de l'air comprimé est utilisé à la place du ressort. Si de l'air comprimé est utilisé pour étendre le piston, la soupape d'air doit être actionnée pour pousser le piston une fois que la pièce se trouve en position finale sur la machine. La soupape peut être désactivée une fois que le support est verrouillé.

7.0 ENTRETIEN ET RÉPARATION

Il est nécessaire d'effectuer l'entretien au moindre signe d'usure et/ou de fuite. Inspecter de temps à l'autre tous les composants pour détecter les problèmes éventuels nécessitant entretien ou réparation. Enerpac tient à la disposition de sa clientèle des kits de pièces pour l'entretien du matériel. Des listes de pièces de rechange sont aussi disponibles. Contacter le représentant Enerpac.

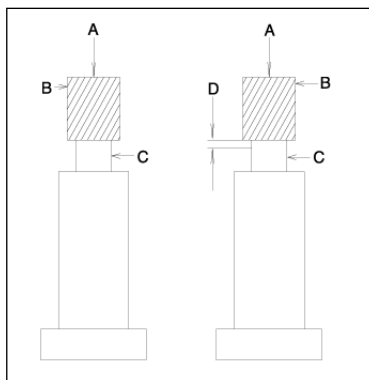


Figure 3

A - Tube d'aération
C - Tige du support

B - Pièce
D - Déflexions

8.0 GUIDE DE DÉPANNAGE

Problème	Cause Possible
La tige du vérin ne s'étend pas complètement quand la pression du circuit est activée.	<ol style="list-style-type: none"> Déterminer si le circuit hydraulique a un débit supérieur au maximum (voir le tableau des caractéristiques). Vérifier que le ressort de tension n'est pas cassé Vérifier que la tige et le manchon ne sont pas endommagés.
Le support de travail soulève la pièce de ses surfaces d'appui.	<ol style="list-style-type: none"> Le support de travail est peut-être trop grand pour l'application.
La tige du support de travail glisse.	<ol style="list-style-type: none"> La pression hydraulique est peut-être inférieure au minimum pour maintenir la tige. Les forces de coupe sont peut-être supérieures à la capacité du support de travail.
La tige ne se rétracte pas. La tige ne parvient pas à la hauteur d'extension.	<ol style="list-style-type: none"> La pression hydraulique n'a pas été relâchée du circuit. Pression de retour excessive causée par une tubulure de diamètre insuffisant ou des coudes aigus. Vérifier que la tige, le manchon et le racler ne sont pas endommagés et qu'il n'y a pas de débris accumulés. Vérifier que le ressort de rappel n'est pas cassé.
Fuite d'huile au support de travail.	<ol style="list-style-type: none"> Vérifier que les joints ne sont ni usés ni abîmés. Fuite éventuelle à la connexion des supports de travail.

L2068 Rev A 08/02

Das Ersatzteilblatt für dieses Produkt finden Sie auf der Enerpac Website www.enerpac.com, oder bei Ihrem nächstgelegenen autorisierten Enerpac Service Center oder einem Enerpac Vertriebsbüro.

1.0 WICHTIGE VERFAHRENSHINWEISE FÜR DEN EMPFANG:

Alle Komponenten auf sichtbare Transport-schäden inspizieren. Transportschäden sind **nicht** von der Garantie gedeckt. Werden solche Schäden festgestellt, ist unverzüglich das Transportunternehmen zu verständigen. Das Transportunternehmen ist für alle Reparatur- und Ersatzkosten, die auf Transportschäden zurückzuführen sind, verantwortlich.

SICHERHEIT GEHT VOR

2.0 SICHERHEITSPRAGEN



Alle Anleitungen, Warnungen und Vorsichtshinweise sorgfältig durchlesen. Beachten Sie alle

Sicherheitsvorkehrungen, um Verletzungen oder Sachschäden während des Systembetriebs zu vermeiden. Enerpac ist weder für Schäden noch Verletzungen haftbar, die durch einen fahrlässigen Gebrauch des Produkts, mangelhafte Instandhaltung oder eine unvorschriftsmäßige Anwendung des Produkts und/oder des Systems verursacht werden. Bei evtl. Fragen in bezug auf Sicherheitsvorkehrungen und Betriebsabläufe wenden Sie sich bitte an ENERPAC. Wenn Sie an keinerlei Sicherheitsschulungen im Zusammenhang mit Hochdruckhydraulikanlagen teilgenommen haben, fordern Sie von Ihrer Vertriebs- und Kundendienstzentrale einen kostenlosen Enerpac-Hydraulik-Sicherheitskurs an.

Ein Mißachten der folgenden Vorsichtshinweise und Warnungen kann zu Geräteschäden und Verletzungen führen.

Mit einem **VORSICHTSHINWEIS** wird auf ordnungsgemäße Betriebs- oder Wartungsverfahren und -praktiken hingewiesen, um Schäden an den Geräten oder anderen Sachwerten bzw. deren Zerstörung zu vermeiden.

Eine **WARNUNG** verweist auf eine potentielle Verletzungsgefahr, die durch ordnungsgemäße Verfahren oder Praktiken vermieden werden kann.

Ein **GEFAHRENSHINWEIS** wird nur dann gegeben, wenn eine bestimmte Handlung oder die Unterlassung einer bestimmten Handlung schwere oder tödliche Verletzungen zur Folge haben kann.



WARNUNG: Beim Betrieb hydraulischer Anlagen geeignete Schutzkleidung und -ausrüstung tragen.



WARNUNG: Von Lasten fernhalten, die durch ein Hydrauliksystem abgestützt werden. Ein als Lastenhebergerät eingesetzter Zylinder darf niemals als ein Lastenhaltergerät verwendet werden. Nach Heben oder Senken der Last muß diese stets auf mechanische Weise gesichert werden.



GEFAHR: Zur Vermeidung von Verletzungen während des Betriebs Hände und Füße von Zylinder und Werkstück fernhalten.



WARNUNG: Die zugelassene Nennleistung der Geräte nicht überschreiten. Keine Last zu heben versuchen, deren Gewicht das Hebevermögen des Zylinders übersteigt. Überlastungen verursachen Maschinenausfälle und können zu Verletzungen führen. Die Zylinder wurden für einen max. Druck von 350 bar konstruiert. Keinen Heber oder Zylinder an eine Pumpe mit einer höheren nominalen Druckleistung anschließen.



Das Überdruckventil **keinesfalls** auf einen höheren Druck als den maximal zulässigen Druck der Pumpe einstellen. Höhere Einstellungen können zu Geräteschäden und/oder Verletzungen führen.



WARNUNG: Der Systembetriebsdruck darf den zulässigen Nominaldruck der Systemkomponente mit der niedrigsten Nennleistung nicht überschreiten. Zur Überwachung des Betriebsdrucks sind Manometer im System zu installieren. Dies ist das Fenster zu den Abläufen im System.



VORSICHT: Beschädigungen am Hydraulikschlauch vermeiden. Beim Verlegen der Hydraulikschläuche enge Bögen und Abknicken vermeiden. Der Einsatz eines gebogenen oder geknickten Schlauchs führt zu einem hohen Rückstau. Starke Biegungen und Knickstellen schädigen den Schlauch auf der Innenseite und führen zu dessen vorzeitigem Ausfall.



Keine schweren Gegenstände auf den Schlauch fallen lassen. Starke Erschütterungen können Schäden an den im Schlauchinnern verlaufenden Drahtlitzen verursachen. Ein Schlauch, auf den Druck ausgeübt wird, kann bersten.



WICHTIG: Hydraulische Geräte weder an den Schläuchen noch den Gelenkanschlüssen anheben. Dazu den Tragegriff oder eine andere sichere Transportmethode verwenden.



VORSICHT: Hydraulische Geräte von Flammen und Hitzequellen fernhalten. Zu hohe Temperaturen weichen Füllungen und Dichtungen auf und bewirken Flüssigkeitslecks. Große Hitze schwächt außerdem die Schlauchmaterialien und -dichtungen. Zur Gewährleistung einer optimalen Leistung darf die Anlage keinen Temperaturen über 65°C ausgesetzt werden. Außerdem müssen Schläuche und Zylinder beim Schweißen vor Funkenschlag geschützt werden.



GEFAHR: Nicht mit unter Druck stehenden Schläuchen hantieren. Unter Druck austretendes Öl kann in die Haut eindringen und schwere Verletzungen verursachen. Falls Öl unter die Haut gelangt, ist sofort ein Arzt aufzusuchen.



WARNUNG: Hydraulikzylinder nur in einem gekoppelten System verwenden. Niemals einen Zylinder mit unverbundenen Kupplungen verwenden.

Bei einer extremen Überlastung des Zylinders können dessen Komponenten schlagartig bersten, was schwere Verletzungen hervorrufen kann.



WICHTIG: Hydraulische Geräte müssen von einem qualifizierten Hydrauliktechniker gewartet werden. Bei Reparaturarbeiten an die autorisierte ENERPAC-Kundendienstzentrale der jeweiligen Region wenden. Zur Aufrechterhaltung der Garantie nur ENERPAC-Öl verwenden.



WARNUNG: Abgenutzte oder beschädigte Teile unverzüglich durch ENERPAC-Originalteile ersetzen. Standardteile anderer Hersteller versagen und verursachen Verletzungen und Sachschäden. ENERPAC-Teile werden so konstruiert, daß sie richtig passen und hohen Lasten standhalten.

3.0 BESCHREIBUNG

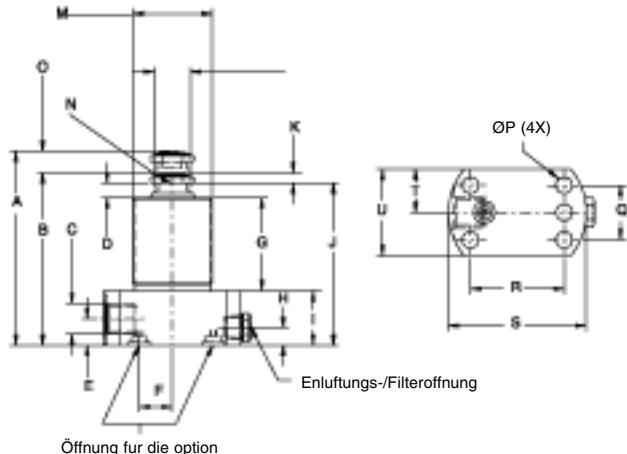
Hydraulisch anstellbare Abstützzylinder bieten eine zusätzliche Abstützfunktion, durch die sich ein Übermaß an Bewegung, Erschütterung oder Verformung des Werkstücks während der Bearbeitung vermeiden läßt. Als Alternative hierzu können auch federanstellbare

Abstützzylinder eingesetzt werden, entweder als druckluftfederbelastete oder als druckluftanstellbare Einheiten, indem ganz einfach die verstellbare Innenfeder entfernt und eine Niederdruckluftleitung an die Entlüftungsöffnung angeschlossen wird.

4.0 TECHNISCHE DATEN

Modell Nr.	Druckbereich Bar (PSI)	Hub mm (in.)	Zylinderkraft kg (lbs)	Olvvolumen cm ³ (cu. cm)	Federkraft Bei Der Hälfte Des Hubes kg (lbs)	Verformung des Abstützzylinders bei max. kraft mm (in.)
WFL111/112	0-350 BAR 0-5000 PSI	9,65 (.38)	1136 (2,500)	0,98 (.06)	1,95 (4.3)	0,06 .0025
WSL111/112	0-350 BAR 0-5000 PSI	9,65 (.38)	1136 (2,500)	0,33 (.02)	1,99 (4.4)	0,06 .0025

Abbildung 1



Abmessungen mm (zoll)

Modell Nr.	A	B	C	D	E	F	G	H
WFL111	99,3 (3.91)	89,7 (3.53)	#4 SAE	6,4 (.25)	14,2 (.56)	14,5 (.57)	51,3 (2.02)	17,8 (.70)
WFL112	99,3 (3.91)	89,7 (3.53)	.25-19 BSPP	6,4 (.25)	14,2 (.56)	14,5 (.57)	51,3 (2.02)	17,8 (.70)
Modell Nr.	I	J	K	L	M	N	O	P
WFL111	27,4 (1.08)	85,1 (3.35)	4,6 (.18)	Ø16,0 (Ø.629)	1.375-18 UNEF	M10x1,5 6G	9,7 (.38)	Ø7,21 (Ø.284)
WFL112	27,4 (1.08)	85,1 (3.35)	4,6 (.18)	Ø16,0 (Ø.629)	1.375-18 UNEF	M10x1,5 6G	9,7 (.38)	Ø7,21 (Ø.284)
Modell Nr.	Q	R	S	T	U			
WFL111	23,9 (.94)	41,1 (1.62)	Ø60,5 (Ø2.38)	19,1 (.75)	38,1 (1.50)			
WFL112	23,9 (.94)	41,1 (1.62)	Ø60,5 (Ø2.38)	19,1 (.75)	38,1 (1.50)			

Modell Nr.	A	B	C	D	E	F	G	H
WSL111	82,6 (3.35)	75,4 (2.97)	#4 SAE	6,4 (.25)	11,2 (.44)	14,5 (.57)	40,6 (1.60)	9,9 (.39)
WSL112	82,6 (3.35)	75,4 (2.97)	.25-19 BSPP	6,4 (.25)	11,2 (.44)	14,5 (.57)	40,6 (1.60)	9,9 (.39)
Modell Nr.	I	J	K	L	M	N	O	P
WSL111	23,9 (.94)	70,9 (2.79)	4,6 (.18)	Ø16,0 (Ø.629)	1.375-18 UNEF	M10x1,5 6G	9,7 (.38)	Ø7,21 (Ø.284)
WSL112	23,9 (.94)	70,9 (2.79)	4,6 (.18)	Ø16,0 (Ø.629)	1.375-18 UNEF	M10x1,5 6G	9,7 (.38)	Ø7,21 (Ø.284)
Modell Nr.	Q	R	S	T	U			
WSL111	23,9 (.94)	41,1 (1.62)	60,5 (2.38)	19,1 (.75)	38,1 (1.50)			
WSL112	23,9 (.94)	41,1 (1.62)	60,5 (2.38)	19,1 (.75)	38,1 (1.50)			

5.0 EINBAU

- Den Abstützylinder am niedrigsten Punkt des Hydrauliksystems der Vorrichtung montieren, um eine selbständige Entlüftung zu ermöglichen. Den Abstützylinder durch mehrmaliges Ein- und Ausfahren entlüften, wodurch die im System vorhandene Luft an dem höchstgelegenen Punkt entweichen kann.
- Den Abstützylinder entweder durch Einschrauben in die Vorrichtung mittels der als Zubehör gelieferten Gegenmuttern oder durch Anschrauben des Flansches an die Vorrichtung montieren. Den Abstützylinder so montieren, daß der Abstützylinder ungefähr die Hälfte seines Hubs erreicht hat, wenn er das Werkstück in der Vorrichtung berührt. Soll der Abstützylinder durch die untere Öffnung an das hydraulische Verteilerrohr der Vorrichtung montiert werden, so sind zunächst der Schraubverschluß und die Kupferdichtung an der Öffnung zu entfernen (siehe Teil B in Abbildung 2). Den gelieferten O-Ring einfetten und vor der Montage und dem Anschrauben des Abstützylinders in die Senkung um die Öffnung einsetzen (siehe Abbildung 2). Sicherstellen, daß der O-Ring während dieser Montage nicht eingeklemmt oder beschädigt wird, da dies zu Leckagen führen könnte. Unsicherzustellen, daß bei der Verteilerrohrmontage keine Leckage auftreten kann, sollte darauf geachtet werden, daß die Ebenheit der Montagefläche der Vorrichtung innerhalb von 0,08 mm liegt und die Oberflächenrauheit Ra 0,8 nicht überschreitet.



WARNUNG: Das Verteilerrohr der Vorrichtung muß für einen hydraulischen Arbeitsdruck von 350 bar ausgelegt sein.

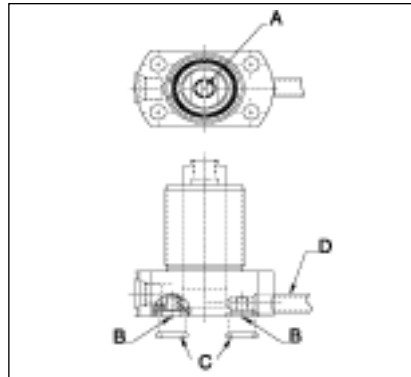
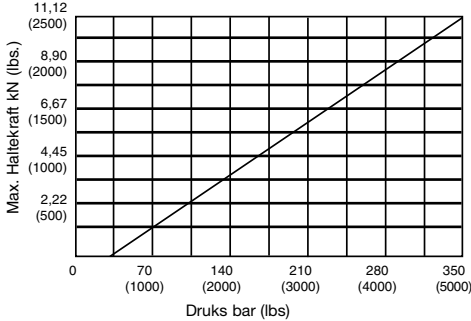
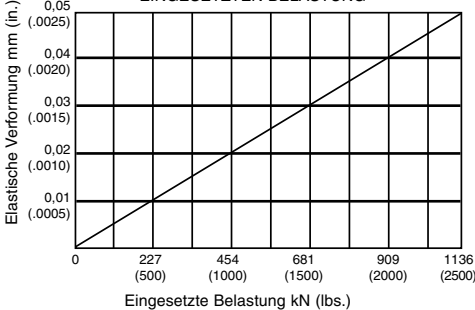


Abbildung 2

- A - Federkraft Einstellschraube**
- B - Schraubverschluß (muß zur Verteilerrohrmontage entfernt werden)**
- C - O-Ring (zur Verteilerrohrmontage)**
- D - Entlüftungsrohr**

- Sollen Hydraulikanschlüsse an der seitlichen Öffnung erfolgen, so ist der Stopfen aus der Öffnung zu entfernen und die Hydraulikleitung mittels der entsprechenden Fittings anzuschließen. Alle Schläuche, Leitungen und Fittings müssen für mindestens 350 bar ausgelegt sein.

TABELLE 1**MAX HALTEKRAFT RELATIV ZUM HYDRAULIK
BETRIEBSDRUCK****TABELLE 2****VERFORMUNG DES ABSTÜTZZYLINDERS RELATIV ZUR
EINGESetzten BELASTUNG**

- Das verwendete Hydraulikaggregat sollte einen Maximaldruck von 350 bar nicht überschreiten. Die Pumpe muß leistungsfähig genug sein, um eine ausreichende Ölzufuhr für die Abstützzyliner, Schläuche, Spannzylinder und alle anderen Systemkomponenten zu gewährleisten. Die maximalen Haltekräfte relativ zum Betriebsdruck können Tabelle 1 entnommen werden.
- Besteht die Gefahr, daß während der Bearbeitung verwendete Kühlmittel, Schmutz und Späne durch die Entlüftungsöffnung in den Zylinder gelangen (siehe Abbildung 2), so ist eine Leitung an der Entlüftungsöffnung zu installieren und in einen Bereich zu verlegen, der von Spänen, Kühlmitteln usw. geschützt liegt.

5.1 Nur für federanstellbare Abstützzyliner:

Besteht die Gefahr, daß während der Bearbeitung verwendete Kühlmittel und Schmutz in den Zylinder gelangen, so sollte der Abstützzyliner in der druckluftfederbelasteten Ausführung verwendet werden. Hierdurch wird Luft durch den Abstreicher geblasen und verhindert, daß Kühlmittel und Schmutz in den Zylinder gelangen.

- Die Kontaktschraube zusammen mit der darin befindlichen Feder innerhalb des Abstützkolbens entfernen.
- Nach Entfernung der Feder die Kontaktschraube unter Anwendung von Loctite 242 zum Abdichten des Gewindes wieder einsetzen.
- Das Entlüftungsrohr an die Entlüftungsöffnung anschließen. Durch den Anschluß einer von 0 bis 0,35 bar einstellbaren Druckluftzuleitung wird der Abstützzyliner zu einem "druckluftfederbelasteten" Abstützzyliner.
- Den Kontaktdruck des Abstützkolbens gegen das Werkstück durch Einstellung des Luftdrucks erhöhen oder reduzieren.
ANMERKUNG: Um ein Anheben des Werkstücks zu verhindern, sollten 0,35 bar nicht überschritten werden.

Für die druckluftanstellbare Ausführung des Abstützzyliners eine Druckluftleitung anschließen (wie oben beschrieben) und ein manuelles Zweizeige-Ventil (VA-42) oder ein Magnetventil (VAS-42) an die Druckluftzuleitung anschließen. Mit diesem Ventil wird in der einen Position die Luftzufuhr blockiert und der Abstützzyliner entlüftet, und in der anderen Position dem Abstützzyliner Druckluft zugeführt, ohne daß eine Entlüftung stattfindet.

ANMERKUNG: Wird die Luftzufuhr zum Abstützzyliner abgestellt, fährt der Kolben nicht selbsttätig ein, es sei denn, der Zylinder ist vertikal montiert und der Kolben fährt durch die Schwerkraft ein. Der Kolben ist jedoch frei beweglich, wenn er angestoßen wird oder mit einem Werkstück, das ein- oder ausgespannt wird, in Kontakt kommt.

5.2 Abänderungen

Soll der Abstützzyliner ohne Kontaktschraube verwendet werden, so ist die Kontaktschraube gegen die mitgelieferte Stellschraube auszutauschen. Diese Stellschraube mit Loctite 242 abdichten und mit der Kolbenoberseite bündig ausrichten.

6.0 BETRIEB

- Die Abstützzyliner gemäß der vorstehenden Anleitungen einbauen.
- Das Werkstück oberhalb der Abstützzyliner in die Vorrichtung einsetzen.
- Die Zylinder unter Hydraulikdruck setzen, um die Abstützkolben auszufahren. Die Abstützkolben verbleiben so lange in der Position, bis der Hydraulikdruck abgelassen wird.
- Das Werkstück in der richtigen Position einspannen, um die maschinelle Bearbeitung zu erleichtern.
- Sobald die Bearbeitung beendet ist, die Spannzylinder lösen und den Hydraulikdruck der Abstützzyliner ablassen. Die Abstützzyliner werden freigegeben und die Kolben fahren ein.
- Das Werkstück aus der Vorrichtung entfernen.

ANMERKUNG: Die angegebene Maximallast auf dem Abstützkolben nicht überschreiten. Diese Last entsteht durch Spannkraften anderer Hydraulikkomponenten, wie schwenkbare Spannzylinder und Bearbeitungskraften. Tabelle 1 veranschaulicht die maximal aufgebrauchte Last relativ zum Druck, der den Kolben verriegelt. Tabelle 2 zeigt die Verformung des Abstützkolbens bei einer Belastung des Zylinders.

6.1 Nur für federanstellbare Abstützylinder:

Der Betrieb ist ähnlich bei einem Abstützylinder, bei dem Druckluft anstelle der Feder verwendet wird. Wird zum Ausfahren des Kolbens Druckluft verwendet, so muß das Luftventil nach dem Einspannen des Werkstücks in seiner Endposition in der Vorrichtung umgelegt werden, um den Kolben auszufahren. Nach der hydraulischen Verriegelung des Abstützylinders kann das Luftventil gelöst werden.

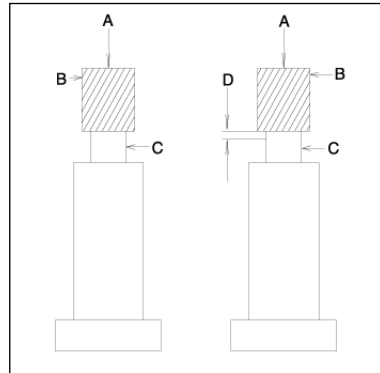


Abbildung 3

- A - Last
- B - Werkstück
- C - Abstützkolben
- D - Verformung

7.0 WARTUNG UND KUNDENDIENST

Wartungsarbeiten sind erforderlich, wenn Verschleißerscheinungen und/oder Lecks auftreten. Alle Komponenten gelegentlich auf eventuelle Fehler prüfen, die Wartungs- oder Servicearbeiten erfordern. Enerpac bietet Reparatursätze zur Komponentenwartung an. Auch Ersatzteillisten sind erhältlich. Bitte wenden Sie sich an Ihre Enerpac-Vertretung.

8.0 FEHLERTABELLE

Problem	Mögliche Ursache
Der Abstützkolben fährt nicht vollständig aus, wenn das maximale System unter Druck gesetzt wird.	<ol style="list-style-type: none"> 1. Feststellen, ob das Hydrauliksystem die maximale Durchflußmenge überschreitet (siehe technische Daten). 2. Prüfen, ob die Anstellfeder defekt ist. 3. Abstützkolben und Klemmhülse auf Beschädigungen untersuchen.
Der Abstützylinder hebt das Werkstück an.	<ol style="list-style-type: none"> 1. Das gewählte Abstützylinder-Modell könnte für die Anwendung zu groß sein.
Der Abstützkolben bleibt nicht in Position.	<ol style="list-style-type: none"> 1. Der Hydraulikdruck könnte unter dem Minimalwert liegen, der erforderlich ist, um den Abstützkolben zu halten. 2. Die Bearbeitungskraften könnten die Leistung des Abstützylinders übersteigen.
Der Abstützkolben fährt nicht bis zur gewünschten Höhe aus.	<ol style="list-style-type: none"> 1. Der Hydraulikdruck wurde nicht aus dem System entlassen. 2. Hoher Staudruck aufgrund von Rohrverbindungen mit geringem Durchmesser oder starken Biegungen. 3. Kolben, Klemmhülse und Abstreifer auf Beschädigungen oder Verschmutzung untersuchen. 4. Prüfen, ob die Rückstellfeder defekt ist.
Der Abstützylinder verliert Öl.	<ol style="list-style-type: none"> 1. Dichtungen auf Abrieb oder Beschädigungen untersuchen. 2. Die Verbindung zum Abstützylinder könnte undicht sein.

L2068 Rev A 08/02

L'esplosione delle parti di ricambio per questo prodotto è ottenibile sul sito web www.enerpac.com, oppure chiamando il Centro Assistenza Autorizzato a voi più vicino, o il ns. ufficio commerciale.

1.0 NOTA IMPORTANTE

Ispezionare visivamente tutti i componenti per identificare eventuali danni di spedizione e, se presenti, avvisare prontamente lo spedizioniere. I danni subiti durante la spedizione non sono coperti dalla garanzia vigente. Lo spedizioniere è il solo responsabile per i costi di riparazione o di sostituzione conseguenti a danni avvenuti durante la spedizione.

2.0 INFORMAZIONI SULLA SICUREZZA



Leggere attentamente tutte le istruzioni, le avvertenze e le precauzioni. Durante il funzionamento del sistema, rispettare tutte le norme di sicurezza onde evitare infortuni o danni all'apparecchiatura. L'Enerpac declina ogni responsabilità per danni risultanti da un uso improprio del prodotto, dalla mancata manutenzione o dall'applicazione errata del prodotto e del sistema. In caso di dubbio in materia di sicurezza o applicazioni, rivolgersi all'Enerpac. Se si richiedono informazioni sulle norme di sicurezza per sistemi idraulici ad alta pressione, rivolgersi al distributore o al centro di riparazione di zona in grado di fornire gratuitamente un corso di addestramento in materia di sicurezza idraulica autorizzato dalla Enerpac.

La mancata osservanza delle seguenti precauzioni potrebbe portare a seri danni all'apparecchiatura e a lesioni personali.

Una **PRECAUZIONE** indica le corrette procedure di azionamento o manutenzione per evitare danni all'apparecchiatura o all'ambiente circostante.

Un **AVVERTENZA** indica un potenziale pericolo che richiede la messa in pratica delle procedure corrette per evitare infortuni.

Un **PERICOLO** indica una situazione in cui un'azione o la mancanza di azione può causare gravi lesioni personali se non il decesso.



AVVERTENZA: Indossare un'attrezzatura di protezione appropriata durante il funzionamento dell'apparecchiatura.



AVVERTENZA: Stare lontano da carichi sospesi e sostenuti idraulicamente. Un cilindro utilizzato per sollevare un carico non deve mai essere impiegato anche per il loro sostegno. Dopo aver alzato o abbassato un peso, è necessario che questo venga sempre bloccato in maniera meccanica.



PERICOLO: Per evitare lesioni personali, durante la lavorazione tenere le mani e i piedi lontano dal cilindro e dal pezzo in lavorazione.



AVVERTENZA: Non superare mai la potenza nominale dell'apparecchiatura. Non tentare mai di sollevare un peso superiore alla capacità del cilindro, dato che il sovraccarico può causare guasti all'apparecchiatura e possibilmente infortuni all'operatore. I cilindri sono stati studiati per una pressione massima pari a 350 bar. Non collegare un martinetto o un cilindro a una pompa la cui pressione nominale è superiore.



Non impostare mai la valvola di scarico a una pressione superiore a quella massima nominale della pompa. Un'impostazione superiore può arrecare danni all'apparecchiatura e/o provocare infortuni all'operatore.



AVVERTENZA: La pressione di esercizio del sistema non deve superare il valore nominale prefissato per il componente dalla pressione più bassa. Installare nel sistema un manometro per tenere sotto controllo la pressione di esercizio.



PRECAUZIONE: Evitare di arrecare danni al tubo idraulico flessibile. Evitare di piegare o arricciare il tubo flessibile durante l'uso, poiché gli strozzamenti possono provocare gravi contropressioni. Le piegature e gli strozzature acute possono danneggiare internamente il tubo flessibile e provocarne quindi un guasto prematuro.



Non lasciar cadere oggetti pesanti sul tubo flessibile, dato che l'impatto potrebbe danneggiarne i fili dell'armatura. La messa sotto pressione di un tubo flessibile danneggiato può causarne la rottura.



IMPORTANTE: Non sollevare apparecchiature idrauliche mediante il tubo flessibile o i giunti orientabili. Servirsi della maniglia per trasporto o di un altro mezzo di trasporto sicuro.



IMPORTANTE: Affidare la manutenzione delle apparecchiature idrauliche solamente a un tecnico specializzato. Per richiedere un intervento di assistenza, rivolgersi al centro di assistenza ENERPAC autorizzato di zona. Per usufruire dei termini di garanzia, utilizzare esclusivamente olio idraulico ENERPAC.



PRECAUZIONE: Tenere l'apparecchiatura idraulica lontano da fiamme e sorgenti di calore. Il calore eccessivo ammorbidisce guarniture e guarniture, provocando perdite di liquido. Il calore indebolisce altresì il materiale di cui è composto il tubo flessibile. Per garantire le migliori prestazioni, non esporre l'apparecchiatura a temperature superiori a 65°C (150°F). Proteggere i tubi flessibili e i cilindri da scintille o scaglie di saldatura.



AVVERTENZA: Sostituire immediatamente le parti usurate o danneggiate con pezzi di ricambio ENERPAC originali. I pezzi di ricambio di qualità standard si potrebbero rompere più facilmente e arrecare danni alle persone persona e all'ambiente circostante. I pezzi di ricambio ENERPAC sono stati concepiti per adattarsi perfettamente al sistema e per sopportare condizioni di carico elevate.



PERICOLO: Non maneggiare i tubi flessibili sotto pressione. Eventuali fuoriuscite d'olio sotto pressione possono penetrare sotto la cute e provocare gravi lesioni. Se l'olio penetra sotto la pelle, rivolgersi immediatamente a un medico.



AVVERTENZA: Utilizzare i cilindri idraulici solo se i raccordi del sistema sono debitamente accoppiati. Se il sovraccarico del cilindro diventa eccessivo, i componenti possono guastarsi irrimediabilmente e provocare gravi lesioni personali.

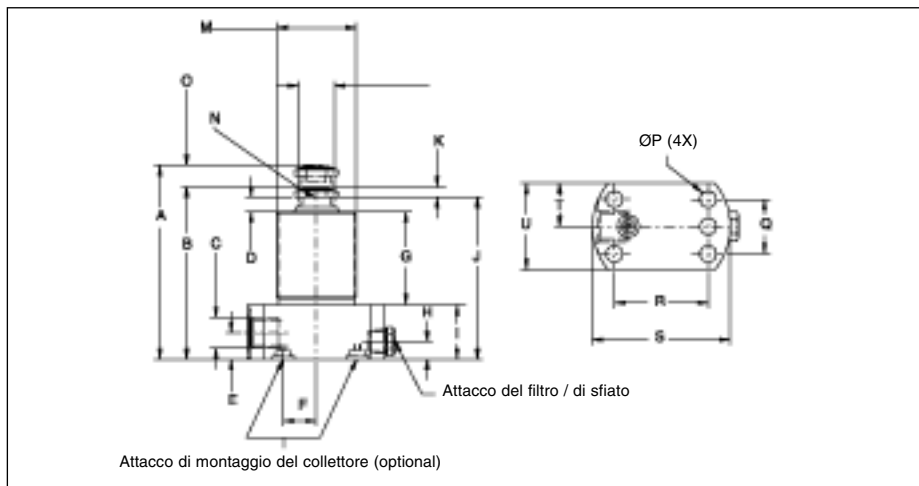
3.0 DESCRIZIONE

I supporti azionati a fluido idraulico descritti in questo manuale forniscono ulteriore sostegno al pezzo, per evitare eccessivi spostamenti, vibrazioni o deflessioni durante la lavorazione.

Come soluzione alternativa, i supporti azionati a molla possono anche essere usati come unità a caricamento pneumatico della molla o ad azionamento pneumatico; è sufficiente rimuovere la molla regolabile interna e fissare una linea pneumatica a bassa pressione all'attacco di sfiato.

4.0 DIMENSIONI

No. De Modèle	Campo di pressioni	Corsa mm (in)	Forza sviluppata alla pressione Max. kg (lbs.)	Capacità serbatoio olio cm ³ (cu. in ³)	Forza applicata dalla molla a metà corsa kg (lbs)	Deflessione del supporto alla forza max. mm (in)
WFL111/112	0-350 Bar 0-5000 PSI	9,65 (.38)	1136 (2,500)	0,98 (.06)	1,95 (4.3)	(0,06) .0025
WSL111/112	0-350 Bar 0-5000 PSI	9,65 (.38)	1136 (2,500)	0,33 (.02)	1,99 (4.4)	(0,06) .0025



No. De Modelo	A	B	C	D	E	F	G	H
WFL111	99,3 (3.91)	89,7 (3.53)	#4 SAE	6,4 (.25)	14,2 (.56)	14,5 (.57)	51,3 (2.02)	17,8 (.70)
WFL112	99,3 (3.91)	89,7 (3.53)	.25-19 BSPP	6,4 (.25)	14,2 (.56)	14,5 (.57)	51,3 (2.02)	17,8 (.70)
No. De Modelo	I	J	K	L	M	N	O	P
WFL111	27,4 (1.08)	85,1 (3.35)	4,6 (.18)	Ø16,0 (Ø.629)	1.375-18 UNEF	M10x1,5 6G	9,7 (.38)	Ø7,21 (Ø.284)
WFL112	27,4 (1.08)	85,1 (3.35)	4,6 (.18)	Ø16,0 (Ø.629)	1.375-18 UNEF	M10x1,5 6G	9,7 (.38)	Ø7,21 (Ø.284)
No. De Modelo	Q	R	S	T	U	Dimensioni mm (in.)		
WFL111	23,9 (.94)	41,1 (1.62)	Ø60,5 (Ø2.38)	19,1 (.75)	38,1 (1.50)			
WFL112	23,9 (.94)	41,1 (1.62)	Ø60,5 (Ø2.38)	19,1 (.75)	38,1 (1.50)			

No. De Modelo	A	B	C	D	E	F	G	H
WSL111	82,6 (3.35)	75,4 (2.97)	#4 SAE	6,4 (.25)	11,2 (.44)	14,5 (.57)	40,6 (1.60)	9,9 (.39)
WSL112	82,6 (3.35)	75,4 (2.97)	.25-19 BSPP	6,4 (.25)	11,2 (.44)	14,5 (.57)	40,6 (1.60)	9,9 (.39)
No. De Modelo	I	J	K	L	M	N	O	P
WSL111	23,9 (.94)	70,9 (2.79)	4,6 (.18)	Ø16,0 (Ø.629)	1.375-18 UNEF	M10x1.5 6G	9,7 (.38)	Ø7,21 (Ø.284)
WSL112	23,9 (.94)	70,9 (2.79)	4,6 (.18)	Ø16,0 (Ø.629)	1.375-18 UNEF	M10x1.5 6G	9,7 (.38)	Ø7,21 (Ø.284)
No. De Modelo	Q	R	S	T	U	Dimensioni mm (in.)		
WSL111	23,9 (.94)	41,1 (1.62)	60,5 (2.38)	19,1 (.75)	38,1 (1.50)			
WSL112	23,9 (.94)	41,1 (1.62)	60,5 (2.38)	19,1 (.75)	38,1 (1.50)			

5.0 INSTALLAZIONE

- Assicurare i supporti alla struttura di fissaggio nel punto più basso dell'impianto oleodinamico, per facilitare il flusso dell'aria. È necessario disaerare i supporti azionandoli ciclicamente più volte e consentendo lo sfiato dell'aria dal punto più alto del sistema stesso.
- Installare i supporti praticando dei fori nella struttura di fissaggio, utilizzando i controdadi accessori o imbullonando la flangia alla struttura di fissaggio. Montare il supporto in modo che lo stantuffo sia approssimativamente a metà corsa quando entra in contatto con il pezzo nella struttura di fissaggio. Se si intende assicurare il supporto alla struttura di fissaggio montandolo a collettore con collegamento idraulico attraverso l'attacco inferiore, è necessario innanzitutto rimuovere il tappo filettato dell'attacco e la guarnizione di rame (B, Figura 2). Prima di montare e imbullonare il supporto, lubrificare l'O-ring in dotazione e montarlo (vedi Figura 2) nella sede, di dimensioni maggiorate, intorno all'attacco. Fare attenzione a che, durante il montaggio, l'O-ring non venga intaccato né danneggiato in altro modo, o ne possono derivare trafileamenti. Per assicurare che il montaggio del collettore sia a perfetta tenuta, verificare che la superficie di montaggio della struttura di fissaggio non si scosti dalla planarità di più di 0,08 mm (0.003") e che la rugosità non superi Ra 0,8 (32 mpollici rms).



AVVISO Il collettore della struttura di fissaggio deve poter tollerare una pressione idraulica di esercizio di almeno 350 bar (5000 psi).

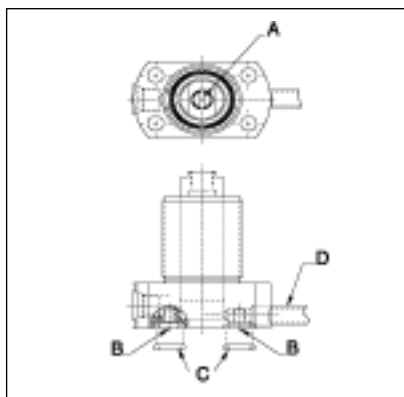
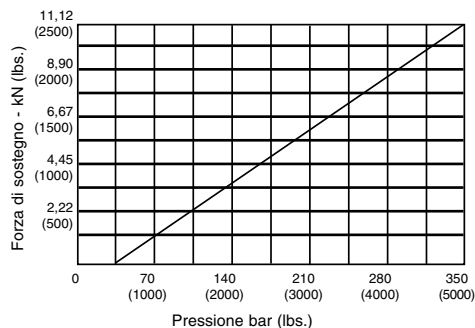


Figura 2

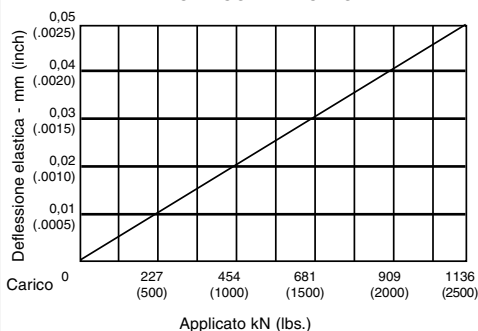
- A - Vite di regolazione della forza della molla**
- B - Tappo filettato dell'attacco (da rimuovere per effettuare il montaggio a collettore)**
- C - O-ring (per effettuare il montaggio a collettore)**
- D - Manicotto di sfiato**

TABELLA 1

FORZA DI SOSTEGNO MASSIMA IN FUNZIONE DELLA PRESSIONE IDRAULICA DI ESERCIZIO

**TABELLA 2**

DEFLESSIONE DEL SUPPORTO IN FUNZIONE DEL CARICO APPLICATO



5.1 Operazioni relative solo ai supporti azionati a molla:

Se esiste il rischio che il refrigerante e i detriti risultanti dalla lavorazione possano penetrare nel supporto, installare quest'ultimo nella configurazione a molla pneumatica. Ciò causa un flusso d'aria attraverso l'organo a scorrimento ed è di ausilio nell'evitare il suddetto problema.

1. Rimuovere dallo stantuffo del supporto il bullone di contatto (insieme alla molla al suo interno).
2. Dopo aver rimosso la molla, reinserire il bullone utilizzando Loctite 242 per assicurare la tenuta dei filetti.
3. Collegare il manicotto di sfianto all'attacco di sfianto. Assicurare un'erogazione d'aria regolabile da zero a 0,35 bar (5 psi) per portare il supporto nella configurazione di caricamento a "molla pneumatica".
4. Aumentare o diminuire la forza di contatto esercitata dallo stantuffo sul pezzo regolando la pressione dell'aria erogata.

NOTA: per evitare il sollevamento del pezzo, non eccedere 0,35 bar (5 psi).

Per ottenere un supporto nella configurazione ad azionamento pneumatico, installare una linea di alimentazione pneumatica (descritta precedentemente) e montarvi una valvola di sfianto manuale a due posizioni (VA-42) o una valvola di sfianto a solenoide (VAS-42). In una delle due posizioni tale valvola blocca l'erogazione dell'aria ed assicura la disaerazione del supporto, nell'altra assicura l'erogazione dell'aria al supporto senza che si verifichi lo sfianto dell'aria.

3. Se si effettuano collegamenti idraulici all'attacco laterale, rimuovere il tappo dell'attacco e collegare la linea idraulica utilizzando raccordi adeguati. Tutti i tubi flessibili, i condotti e i raccordi devono presentare una pressione nominale minima di 350 bar (5000 psi).
4. La pompa idraulica a motore utilizzata non deve sviluppare una pressione maggiore di 350 bar (5000 psi). Le pompe a motore devono avere una cilindrata adeguata ad erogare un volume di olio sufficiente per i supporti, i tubi flessibili, i dispositivi di serraggio e tutti gli altri componenti dell'impianto. Nella tabella 2 è illustrato l'andamento dei carichi massimi applicati in funzione della pressione di esercizio.
5. Ogniqualvolta esista il rischio che refrigerante, detriti e/o trucioli risultanti dalla lavorazione possano penetrare nel cilindro attraverso l'attacco di sfianto (vedi Figura 2), collegare all'attacco un tubo di lunghezza tale che il suo sbocco si trovi in una zona protetta da trucioli, refrigerante, ecc.

NOTA: quando la linea di alimentazione pneumatica è scollegata dal supporto, lo stantuffo non si retrae automaticamente, eccetto per gravità se montato verticalmente. Lo stantuffo è però libero di muoversi se viene urtato o semplicemente toccato da un pezzo che venga caricato o scaricato.

5.2 Modifiche

Se si intende usare il supporto senza bullone di contatto, sostituire il bullone con il registro filettato in dotazione. Applicare Loctite 242 per assicurare la tenuta dei filetti del registro e sistemarlo in sede, a filo con la testa dello stantuffo.

6.0 FUNZIONAMENTO

1. Installare i supporti in base alle istruzioni precedenti.
2. Inserire il pezzo nella struttura di fissaggio e sopra i supporti.
3. Attivare la pressione idraulica per fare avanzare lo stantuffo sul pezzo. La posizione dello stantuffo viene mantenuta finché non si scarica la pressione idraulica.
4. Per facilitare le operazioni di lavorazione del pezzo, serrarlo in posizione.

5. A lavorazione completata, sbloccare i dispositivi di serraggio e quindi scaricare la pressione idraulica agente sui supporti, che si sbloccheranno mentre gli stantuffi si retraggono.
6. Rimuovere il pezzo dalla struttura di fissaggio.

NOTA: il carico agente sullo stantuffo del supporto non deve superare il valore massimo specificato. Tale carico risulta dalle forze di serraggio esercitate da altri componenti idraulici (come dispositivi di serraggio oscillanti) e dalle forze risultanti dalla lavorazione di macchina. Nella tabella 1 è illustrato l'andamento del carico massimo applicato in funzione della pressione di bloccaggio dello stantuffo e nella tabella 2 la deflessione dello stantuffo risultante dall'applicazione di un carico sul cilindro.

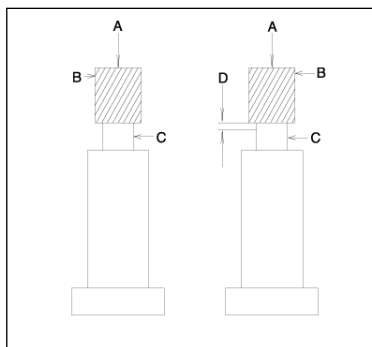


Figura 3

A - Carico **C - Stantuffo del supporto**
B - Pezzo **D - Deflessioni**

6.1 Operazioni relative solo ai supporti azionati a molla:

Il funzionamento è simile a quello di un supporto che impieghi aria come elemento elastico. Se si utilizza aria per fare avanzare lo stantuffo, è necessario commutare la valvola di sfiato per fare avanzare lo stantuffo dopo aver montato il pezzo nella struttura di fissaggio nella posizione finale. Si può quindi rilasciare la valvola di sfiato non appena il supporto è bloccato idraulicamente.

7.0 MANUTENZIONE ED ASSISTENZA

Ogniqualevolta sono presenti usura e/o perdite, è necessario effettuare la manutenzione. Ispezionare di tanto in tanto tutti i componenti per rilevare un qualsiasi problema che richieda manutenzione o assistenza. La Enerpac offre kit delle parti di ricambio per la manutenzione delle attrezzature. È inoltre disponibile un manuale delle parti di riparazione. Rivolgersi al proprio rappresentante Enerpac.

8.0 RICERCA GUASTI

Problema	Cause Possibile
Lo stantuffo non avanza completamente quando si attiva la pressione del sistema.	<ol style="list-style-type: none"> 1. La portata dell'impianto oleodinamico supera il valore massimo (vedi tabella dei dati tecnici). 2. La molla di trazione/compressione è rotta. 3. Lo stantuffo o il manicotto sono danneggiati.
Il supporto si solleva parzialmente oltre le superfici di riposo.	<ol style="list-style-type: none"> 1. Il supporto è sovradimensionato per l'applicazione.
Lo stantuffo del supporto slitta.	<ol style="list-style-type: none"> 1. La pressione idraulica è inferiore al valore minimo necessario a sostenere lo stantuffo. 2. Le forze di taglio eccedono la forza sviluppata dal supporto.
Lo stantuffo non si retrae. Lo stantuffo è bloccato e non si estende.	<ol style="list-style-type: none"> 1. La pressione idraulica non è stata scaricata dal sistema. 2. Pressione inversa eccessiva derivante da tubi di piccolo diametro o curvatures eccessive. 3. Danni o accumulo di detriti nello stantuffo, nel manicotto e/o nella guarnizione. 4. La molla di richiamo è rotta.
Perdite di olio nel supporto.	<ol style="list-style-type: none"> 1. Guarnizioni usurate o danneggiate. 2. Perdite nelle linee di convogliamento dell'olio allo stantuffo.

L2068 Rev A 08/02

Las hojas de despiece para este producto están disponibles en la página web de Enerpac en la dirección www.enerpac.com, o en su centro de Asistencia Técnica ó punto de venta Enerpac más cercano.

1.0 IMPORTANTES INSTRUCCIONES DE RECEPCIÓN

Inspeccione visualmente todos los componentes para verificar si hay daños de envío. Debido a que la garantía **no** ampara daños por envío, si los hubiese, infórmeselo inmediatamente a la empresa de transportes, puesto que ésta es responsable de todos los gastos de reparaciones o reemplazo que resulten por daños de envío.

SEGURIDAD PRIMERO

2.0 ASPECTOS DE SEGURIDAD



Lea todas las instrucciones, advertencias y precauciones. Acate todas las precauciones de seguridad para evitar lesiones personales o daños a la propiedad durante la operación del sistema. ENERPAC no puede ser responsable de daños o lesiones que resulten de no usar el producto de forma segura, falta de mantenimiento o aplicación incorrecta del producto y/u operación del sistema. Comuníquese con ENERPAC si tuviese dudas sobre las precauciones de seguridad o sobre las aplicaciones. Si nunca ha sido capacitado en seguridad hidráulica de alta presión, consulte a su distribuidor o centro de servicio para obtener un curso de seguridad gratis denominado ENERPAC Hydraulic.

El no cumplir con las siguientes precauciones y advertencias podría causar daños al equipo y lesiones personales.

Una **PRECAUCIÓN** se utiliza para indicar procedimientos y prácticas de operación o mantenimiento correctos para evitar daños o la destrucción de equipo u otra propiedad.

Una **ADVERTENCIA** indica un potencial peligro que requiere de procedimientos o prácticas correctos para evitar lesiones personales.

Un **PELIGRO** se utiliza sólo cuando su acción o falta de acción podría causar lesiones graves o incluso la muerte.



ADVERTENCIA: Use el equipo de protección personal adecuado cuando opere equipo hidráulico.



ADVERTENCIA: Manténgase alejado de las cargas soportadas por sistemas hidráulicos. Cuando un cilindro se utiliza como dispositivo para levantar carga,



nunca debería usarse como dispositivo para sostener carga. Después de que la carga haya sido levantada o descendida, debe bloquearse siempre en forma mecánica.



PELIGRO: Para evitar lesiones personales, mantenga las manos y los pies alejados del cilindro y pieza de trabajo durante la operación.



ADVERTENCIA: No sobrepase el valor nominal del equipo. Nunca intente levantar una carga que pese más de la capacidad del cilindro. Las sobrecargas ocasionan fallas del equipo y posibles lesiones personales. Los cilindros están diseñados para resistir una presión máxima de 350 bar. No conecte un gato o cilindro a una bomba cuyo valor nominal de presión es mayor que el indicado.



Nunca fije la válvula de seguridad a una presión más alta que el máximo valor nominal de presión de la bomba. Los ajustes más altos pueden resultar en daños al equipo y/o lesiones personales.



ADVERTENCIA: La presión de operación del sistema no debe sobrepasar el valor nominal de presión del componente con el valor nominal más bajo en el sistema. Instale manómetros de presión en el sistema para vigilar la presión de operación. Es su ventana a lo que está sucediendo en el sistema.



PRECAUCIÓN: Evite dañar la manguera hidráulica. Evite pliegues y curvas agudos al guiar las mangueras hidráulicas. Usar una manguera con pliegues o curvas puede causar severa contrapresión. Los pliegues y curvas agudos causarán daños internos la manguera, lo que ocasionará que ésta falle prematuramente.



No deje caer objetos pesados sobre la manguera. Un impacto directo puede causar daños internos a las hebras de alambre de la manguera. Aplicar presión a una manguera dañada puede ocasionar que se quiebre.



IMPORTANTE: No levante el equipo hidráulico por las mangueras o acopladores giratorios. Use el mango de transporte u otros medios para transportarla con seguridad.



PRECAUCIÓN: Mantenga el equipo hidráulico alejado de las llamas y el calor. El calor en exceso ablandará las juntas y sellos, lo que resultará en fugas de líquidos. Asimismo, el calor debilita los materiales de la manguera y juntas. Para lograr un rendimiento óptimo, no exponga el equipo a temperaturas de 65°C [150°F] o mayores. Proteja las mangueras y cilindros de salpicaduras de soldadura.



PELIGRO: No manipule mangueras bajo presión. El aceite que escape bajo presión puede penetrar la piel y causar lesiones graves. Si se inyecta aceite bajo la piel, consulte a un médico inmediatamente.



ADVERTENCIA: Use cilindros hidráulicos únicamente en sistemas acoplados. Nunca use un cilindro si los acopladores no están conectados. Si el cilindro se sobrecarga, los componentes pueden fallar calamitosamente, lo que causaría lesiones personales graves.



IMPORTANTE: Únicamente técnicos calificados en sistemas hidráulicos habrán de prestarle servicio al equipo hidráulico. Comuníquese con el Centro de Servicio ENERPAC autorizado en su zona para prestarle servicio de reparaciones. Use únicamente aceite ENERPAC a fin de proteger su garantía.



ADVERTENCIA: Reemplace inmediatamente las piezas gastadas o dañadas por piezas ENERPAC genuinas. Las piezas de clasificación estándar se romperán, lo que causará lesiones personales y daños a la propiedad. Las piezas ENERPAC están diseñadas para encajar debidamente y resistir altas cargas.

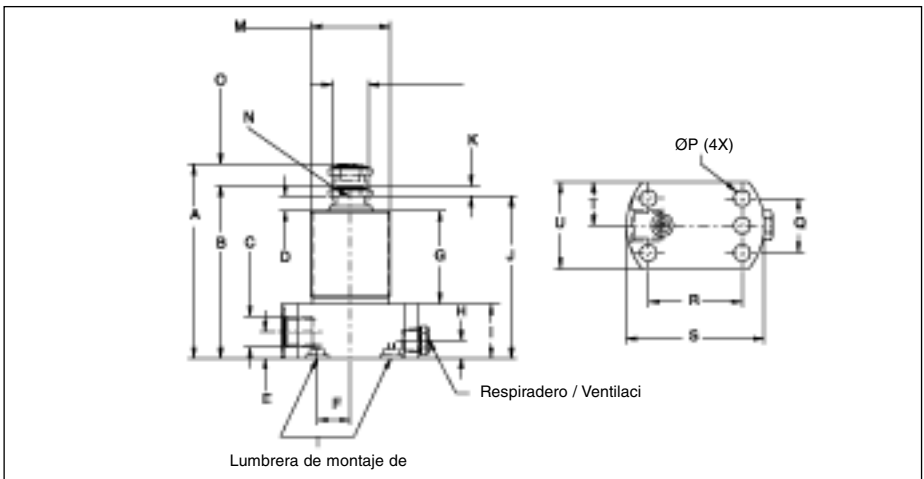
3.0 DESCRIPCION

Estos portapiezas de accionamiento hidráulico proporcionan un soporte adicional para evitar el movimiento, vibración o deformación de la pieza trabajada durante el fresado.

Como alternativa, los portapiezas accionados por resorte también pueden usarse como unidades cargadas por resorte neumático o como unidades accionadas neumáticamente con sólo quitar el resorte interno ajustable y conectar una línea neumática de baja presión a la lumbrera del respiradero.

4.0 ESPECIFICACIONES

No. de modelo	Regimen de presión Bar (PSI)	Carrera mm (pulg)	Capacidad a presión max. kg (lbs)	Capacidad de aceite cm ³ (pulg ³)	Fuerza aplicada por resorte en la mitad del recorrido kg (lbs)	Deflexión del portapieza a fuerza max. mm (in.)
WFL111/112	0-350 BAR 0-5000 PSI	9,65 (.38)	1136 (2,500)	0,98 (.06)	1,95 (4.3)	0,06 .0025
WSL111/112	0-350 BAR 0-5000 PSI	9,65 (.38)	1136 (2,500)	0,33 (.02)	1,99 (4.4)	0,06 .0025



DIMENSIONES mm (pulg)

No. De Modelo	A	B	C	D	E	F	G	H
WFL111	99,3 (3.91)	89,7 (3.53)	#4 SAE	6,4 (.25)	14,2 (.56)	14,5 (.57)	51,3 (2.02)	17,8 (.70)
WFL112	99,3 (3.91)	89,7 (3.53)	.25-19 BSPP	6,4 (.25)	14,2 (.56)	14,5 (.57)	51,3 (2.02)	17,8 (.70)
No. De Modelo	I	J	K	L	M	N	O	P
WFL111	27,4 (1.08)	85,1 (3.35)	4,6 (.18)	Ø16,0 (Ø.629)	1.375-18 UNEF	M10x1,5 6G	9,7 (.38)	Ø7,21 (Ø.284)
WFL112	27,4 (1.08)	85,1 (3.35)	4,6 (.18)	Ø16,0 (Ø.629)	1.375-18 UNEF	M10x1,5 6G	9,7 (.38)	Ø7,21 (Ø.284)
No. De Modelo	Q	R	S	T	U	Dimensiones en pulgadas (mm)		
WFL111	23,9 (.94)	41,1 (1.62)	Ø60,5 (Ø2.38)	19,1 (.75)	38,1 (1.50)			
WFL112	23,9 (.94)	41,1 (1.62)	Ø60,5 (Ø2.38)	19,1 (.75)	38,1 (1.50)			

No. De Modelo	A	B	C	D	E	F	G	H
WSL111	82,6 (3.35)	75,4 (2.97)	#4 SAE	6,4 (.25)	11,2 (.44)	14,5 (.57)	40,6 (1.60)	9,9 (.39)
WSL112	82,6 (3.35)	75,4 (2.97)	.25-19 BSPP	6,4 (.25)	11,2 (.44)	14,5 (.57)	40,6 (1.60)	9,9 (.39)
No. De Modelo	I	J	K	L	M	N	O	P
WSL111	23,9 (.94)	70,9 (2.79)	4,6 (.18)	Ø16,0 (Ø.629)	1.375-18 UNEF	M10x1.5 6G	9,7 (.38)	Ø7,21 (Ø.284)
WSL112	23,9 (.94)	70,9 (2.79)	4,6 (.18)	Ø16,0 (Ø.629)	1.375-18 UNEF	M10x1.5 6G	9,7 (.38)	Ø7,21 (Ø.284)
No. De Modelo	Q	R	S	T	U	Dimensiones en pulgadas (mm)		
WSL111	23,9 (.94)	41,1 (1.62)	60,5 (2.38)	19,1 (.75)	38,1 (1.50)			
WSL112	23,9 (.94)	41,1 (1.62)	60,5 (2.38)	19,1 (.75)	38,1 (1.50)			

5.0 INSTALACION

1. Coloque los portapiezas en el punto más bajo del sistema hidráulico del accesorio para ayudar a purgar el aire. Purgue el aire de los portapiezas pasándolos por su ciclo de acción varias veces y permitiendo que el aire del sistema se ventile en el punto más alto del sistema.
2. Instale los portapiezas ya sea enroscándolos en el accesorio, usando las contratuercas auxiliares o empernando la brida al accesorio. Monte el portapieza de manera que su émbolo se encuentre aproximadamente a la mitad de su carrera cuando toca el portapieza en el accesorio. Si el portapieza será montado al colector hidráulico del accesorio a través de la lumbrera inferior, primero debe sacarse el tapón roscado de la lumbrera y la empaquetadura de cobre (vea el punto B, Figura 2). Lubrique el anillo "O" provisto e instálelo (vea la Figura 2) en el agujero contrataladrado que está alrededor de la lumbrera antes de montar y empernar el portapieza. Asegúrese de no aplastar ni dañar el anillo "O" al instalarlo, de lo contrario se podrían causar fugas. Para evitar las fugas del montaje en colector, la superficie de montaje en el accesorio deberá ser plana con una tolerancia de 0,08 mm y la aspereza de la superficie no deberá exceder 32 Ra 0,8.

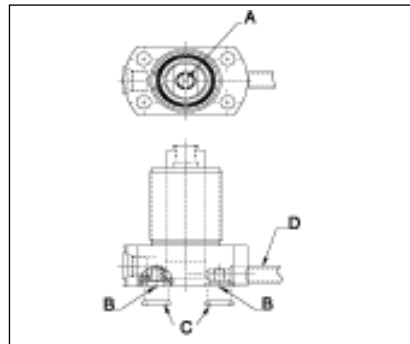


Figure 2

- A - tornillo de ajuste de fuerza del resorte**
- B - tornillo de lumbrera (debe sacarse para montaje en colector)**
- C - anillo "O" (para montaje en colector)**
- D - tubo de respiradero**

3. Si se hacen conexiones hidráulicas a la lumbrera lateral, saque el tapón de esta lumbrera y conecte la línea hidráulica usando los conectores apropiados. Todas las mangueras, líneas y conectores deberán tener una capacidad nominal mínima de 350 bar.
4. La bomba de potencia hidráulica no deberá exceder una presión de 350 bar. Las bombas de potencia deberán tener capacidad suficiente para proporcionar un caudal de aceite útil a los portapiezas, mangueras, mordazas y demás



ADVERTENCIA: El colector del accesorio deberá ser capaz de soportar una presión hidráulica de trabajo de 350 bar.

TABLA 1
FUERZA MAXIMA DE SUJECION CONTRA PRESION
HIDRAULICA DE FUNCIONAMIENTO

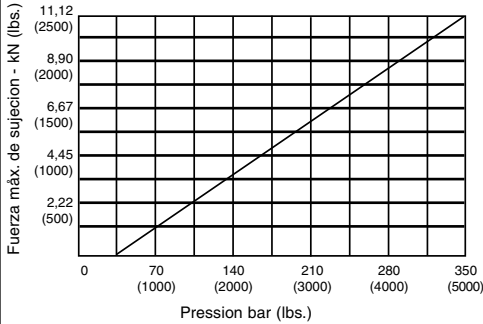
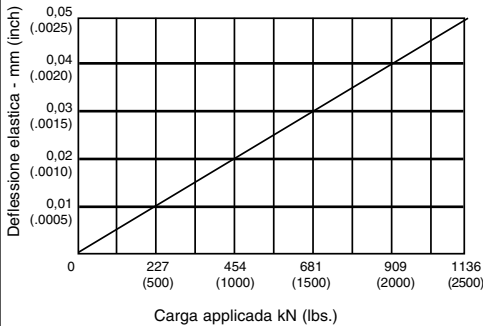


TABLA 2
DEFLEXION DEL PORTAPIEZA CONTRA
CARGA APLICADA



componentes del sistema. Consulte la Tabla 1 para obtener las cargas máximas aplicadas en función de la presión de trabajo.

- Si existe el riesgo que refrigerantes de fresado, basura y partículas entren al cilindro a través del respiradero (vea la Figura 2), conecte una línea vertical a la lumbrera del respiradero que lleve a una zona protegida contra las partículas, refrigerante, etc.

5.1 Sólo para portapiezas accionados por resorte:

Si existe el riesgo que el refrigerante de fresado o basura entre al portapieza, instálelo de la manera que se instala uno con resorte neumático. Con ello se sopla aire a través del brazo frotador y se ayuda a impedir la entrada de refrigerante y basura en el portapieza.

- Saque el perno de contacto del interior del émbolo del portapieza, junto con el resorte en su interior.
- Después de haber quitado el resorte, vuelva a colocar el perno de contacto, aplicando pasta selladora Loctite 242 a sus roscas para sellarlas.

- Conecte el tubo de respiradero a la lumbrera de ventilación. Al proporcionar un suministro de aire ajustable de cero a 0,35 bar, el portapieza ahora funciona como una unidad cargada por "resorte neumático".
- La fuerza de contacto del émbolo contra el portapieza se aumenta o reduce con ajustar la presión neumática.

NOTA: Para impedir que la pieza se levante, no exceda una presión de 0,35 bar.

Para usar el portapieza como una unidad accionada neumáticamente, instale una línea neumática (según se describió antes) e instale una válvula neumática manual de dos posiciones (VA-42) o una válvula neumática accionada por solenoide (VAS-42) a la línea de suministro. Esta válvula bloquea el suministro de aire y ventila el portapieza cuando está en una de sus posiciones y proporciona el suministro de aire al portapieza sin ventilarlo cuando está en la otra.

NOTA: Si se quita el suministro de aire del portapieza, el émbolo no se retraerá por sí solo, salvo en el caso de haber sido montado verticalmente, en el cual se retrae por gravedad. Sin embargo, el émbolo se moverá libremente si es golpeado o empujado por un portapieza que está siendo cargado o descargado.

5.2 Modificaciones

Si el portapieza va a usarse sin perno de contacto, reemplace el perno de contacto con el tornillo de fijación provisto. Aplique pasta selladora Loctite 242 a este tornillo de fijación para sellarlo y colocarlo a ras con la parte superior del émbolo.

6.0 FUNCIONAMIENTO

- Instale los portapiezas según las instrucciones dadas anteriormente.
- Coloque la pieza trabajada en el accesorio y sobre los portapiezas.
- Accione la presión hidráulica para hacer avanzar el émbolo contra la pieza trabajada. El émbolo del portapieza mantiene su posición hasta que se alivie la presión hidráulica.
- Fije la pieza trabajada con las mordazas para facilitar las operaciones de fresado.
- Una vez terminado el fresado, suelte las mordazas y alivie la presión hidráulica de los portapiezas. Los portapiezas ahora quedan sueltos y sus émbolos se retraen.
- Quite la pieza trabajada del accesorio.

NOTA: No exceda la carga máxima especificada sobre el émbolo del portapieza. Esta carga es resultado de las fuerzas de fijación causadas por otros componentes hidráulicos tales como las mordazas giratorias y las fuerzas de fresado. La Tabla 1 indica la carga máxima aplicada en función de la presión que traba el émbolo. La Tabla 2 muestra la desviación del émbolo del portapieza cuando se aplica una carga sobre el cilindro.

6.1 Sólo para portapiezas accionados por resorte:

Su funcionamiento es similar al de un portapieza que utiliza aire para la acción de resorte. Si se usa aire para hacer avanzar el émbolo, se debe conmutar la válvula neumática para hacer avanzar el émbolo después de haber montado la pieza trabajada en su posición final en el accesorio. La válvula neumática puede liberarse una vez que el portapieza se haya asegurado por medios hidráulicos.

7.0 MANTENIMIENTO Y SERVICIO

Será necesario hacer trabajos de mantenimiento cuando se note algún desgaste y/o fuga. Inspeccione ocasionalmente todos los componentes para detectar cualquier problema que pueda requerir servicio y mantenimiento. Enerpac ofrece juegos de piezas de repuesto para el mantenimiento del equipo. También hay hojas de piezas de repuesto disponibles. Póngase en contacto con el representante de Enerpac.

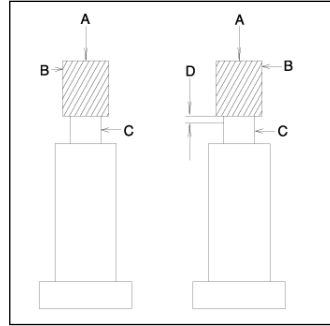


Figure 3

- A - Carga
- B - Pieza trabajada
- C - Embolo de portapieza
- D - Desviación

8.0 LOCALIZACION DE AVERIAS

Problema	Causa Posible
El pistón no avanza totalmente cuando se activa la presión del sistema.	<ol style="list-style-type: none"> 1. Determine si el sistema hidráulico está sobrepasando el caudal máximo (vea la tabla de especificaciones). 2. Revise si el resorte tensor está roto. 3. Revise si el pistón y la camisa están dañados.
El portapieza eleva la pieza fuera de las superficies de apoyo.	<ol style="list-style-type: none"> 1. El tamaño del portapieza puede ser demasiado grande para la aplicación.
El pistón del portapieza patina.	<ol style="list-style-type: none"> 1. La presión hidráulica puede ser inferior al valor mínimo requerido para sujetar el pistón. 2. Las fuerzas de corte pueden estar excediendo la capacidad del portapieza.
El pistón no se retrae. El pistón no llega a la altura extendida.	<ol style="list-style-type: none"> 1. No se ha aliviado la presión hidráulica del sistema. 2. Exceso de contrapresión debido a tubería de diámetro pequeño o codos muy pronunciados. 3. Revise el pistón, camisa y limpiador en busca de daño o impurezas. 4. Revise si el resorte de retorno está roto.
Escape de aceite en el portapieza.	<ol style="list-style-type: none"> 1. Revise si hay sellos desgastados o dañados. 2. La conexión a los portapiezas puede estar perdiendo fluido.

L2068 Rev A 08/02

Reparatie/Onderdelenlijsten voor deze producten zijn te downloaden van de Enerpac Website www.enerpac.com of verkrijgbaar via uw Enerpac Service Centre of vertegenwoordiger.

1.0 BELANGRIJKE INSTRUCTIES BIJ ONTVANGST

Controleer visueel alle onderdelen op schade opgelopen tijdens de verzending. Schade opgelopen tijdens de verzending wordt niet door de garantie gedekt. Als schade opgelopen tijdens de verzending wordt gevonden, de transporteur hier onmiddellijk van op de hoogte stellen. De transporteur is verantwoordelijk voor alle reparatie- of vervangingskosten als gevolg van opgelopen schade tijdens de verzending.

VEILIGHEID VOOROP

2.0 VEILIGHEIDSKWESTIES



Lees nauwkeurig alle instructies, waarschuwingen en let op-gedeelten. Volg alle veiligheidsvoorzieningen om persoonlijk letsel of schade aan eigendom te voorkomen als het systeem in werking is. Enerpac kan niet verantwoordelijk worden gesteld voor schade of letsels als gevolg van onveilig gebruik van dit product, gebrek aan onderhoud, of onjuiste toepassing van het product of het systeem. Neem contact op met Enerpac mocht u twijfels hebben over veiligheidsvoorzieningen en werkingen. Als u nooit een opleiding in hogedruk hydraulische veiligheid hebt gevolgd neem dan contact om met uw verdeel- of servicecentrum voor een gratis veiligheidskursus van Enerpac Hydraulic.

Het niet volgen van deze waarschuwingsboodschappen en voorzorgsmaatregelen kan schade aan de machine en persoonlijk letsel veroorzaken.

LET OP wordt gebruikt om correcte bedienings- en onderhoudsprocedures en praktijken aan te duiden om schade aan, of vernietiging van, machines of andere eigendom te voorkomen.

WAARSCHUWING wijst op een mogelijk gevaar dat de juiste procedures en praktijken vereist om persoonlijk letsel te voorkomen.

GEVAAR wordt enkel gebruikt als uw actie of gebrek aan actie ernstig letsel of zelfs de dood tot gevolg kan hebben.



WAARSCHUWING: Draag de juiste persoonlijke beschermende kleding bij het werken met hydraulische machines.



WAARSCHUWING: Blijf uit de buurt van ladingen die hydraulisch worden ondersteund. Een cilinder die wordt gebruikt als een hefinrichting mag nooit worden gebruikt als een lasthouder. Nadat de lading omhoog of omlaag is gebracht, moet deze altijd mechanisch worden geblokkeerd.



GEVAAR: Om persoonlijk letsel te voorkomen, handen en voeten weghouden van de cilinder en het werkstuk tijdens de bediening.



WAARSCHUWING: Niet de nominale waarden van de machines overschrijden. Probeer nooit om een lading op te heffen die meer weegt dan de capaciteit van de cilinder. Overladen veroorzaakt falen van de machine en mogelijk persoonlijk letsel. De cilinders zijn ontworpen voor een maximale druk van 350 bar. Geen vijzel of cilinder op een pomp aansluiten die een hogere drukwaarde heeft.



Nooit de ontlastklep instellen op een hogere druk dan de maximaal nominale druk van de pomp. Hogere instellingen kunnen schade aan de machine en/of persoonlijk letsel tot gevolg hebben.



WAARSCHUWING: De bedieningsdruk van het systeem mag de nominale drukwaarde van het onderdeel met de laagste waarde in het systeem niet overschrijden. Installeer drukmeters in het systeem om de bedieningsdruk te controleren. Op die manier weet u wat er in het systeem gebeurt.



LET OP: De hydraulische slang niet beschadigen. Vermijd ombuigen en knikken bij het aanbrengen van de hydraulische slangen. Een gebogen of geknikte slang gebruiken kan ernstige tegendruk van de afvoerstroom veroorzaken. Scherpe ombuigingen en knikken beschadigen de slang aan de binnenkant wat tot vroegtijdig falen van de slang kan leiden.



Geen zware objecten op de slang laten vallen. Een scherpe impact kan interne schade aan de draadvezels van de slang veroorzaken. Druk uitoefenen op een slang die beschadigd is, kan scheuren van de slang tot gevolg hebben.



BELANGRIJK: Hydraulische machines niet bij de slangen of de wartelkoppelingen opheffen. Gebruik de draaghandgreep of een ander middel om de machine veilig te transporteren.



LET OP: Houd de hydraulische machine weg van vlammen en hitte. Overmatige hitte verzacht de pakkingen en afdichtingen wat tot vloeistoflekken kan leiden. Hitte verzwakt ook slangmaterialen en pakkingen. Voor optimale prestaties de machines niet blootstellen aan temperaturen van 65°C (150°F) of hoger. Bescherm slangen en cilinders tegen lasspeters.



GEVAAR: Slangen die onder druk staan, niet aanraken. Als olie die onder druk staat ontsnapt, kan het door de huid dringen wat ernstige letsel kan veroorzaken. Als olie onder de huid wordt geïnjecteerd, onmiddellijk een arts raadplegen.



WAARSCHUWING: Gebruik hydraulische cilinders enkel in een aangesloten systeem. Nooit een cilinder gebruiken met koppelingen die niet aangesloten zijn. Als de cilinder uiterst overladen is, kunnen onderdelen op een catastrofistische manier falen wat ernstig persoonlijk letsel kan veroorzaken.



BELANGRIJK: Hydraulische machines mogen enkel door een bevoegd hydraulisch technicus van onderhoud worden voorzien. Voor reparaties dient u contact op te nemen met een nabijgelegen bevoegd ENERPAC servicecentrum. Om uw garantie te beschermen, enkel ENERPAC olie gebruiken.



WAARSCHUWING: Versleten of beschadigde onderdelen onmiddellijk met authentieke ENERPAC onderdelen vervangen. Standaardonderdelen breken, wat tot persoonlijk letsel en schade aan eigendom kan leiden. ENERPAC onderdelen zijn zodanig ontworpen dat ze precies passen en hoge ladingen kunnen weerstaan.

3.0 BESCHRIJVING

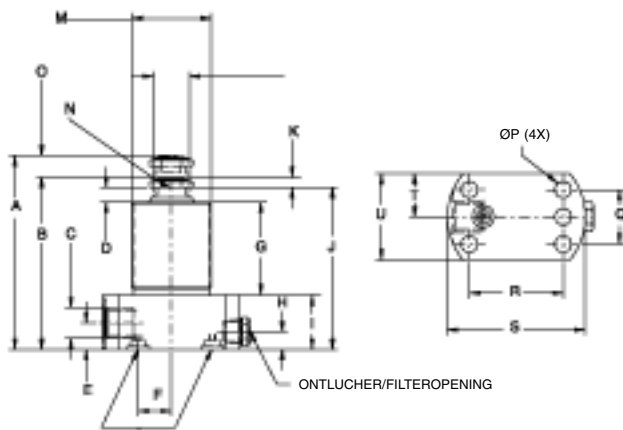
Deze hydraulisch uitgeschoven werkstutsteunen leveren extra steun om te voorkomen dat een werkstuk tijdens machinale bewerking teveel beweegt, trilt of doorbuigt.

Veer uitgeschoven werkstutsteunen kunnen daarnaast ook worden gebruikt als ofwel luchtverende ofwel lucht uitgeschoven steunen door eenvoudig de inwendige instelbare veer te verwijderen en een lagedrukkluchtlijn aan te sluiten op de ontluuchtingspoort van de ontluuchter.

4.0 AFMETINGEN

Modelnr.	Drukgebied	Slag mm (in.)	Vermogen bij max druk kg (lbs)	Olie-inhoud cm ³ (in. ³)	Veerkracht bij midden van sag kg (lbs)	Doorbuiging stutsteun bij max kracht mm (in.)
WFL111/112	0-350 BAR	9,65	1136	0,98	1,95	0,06
	0-5000 PSI	(.38)	(2,500)	(.06)	(4.3)	.0025
WSL111/112	0-350 BAR	9,65	1136	0,33	1,99	0,06
	0-5000 PSI	(.38)	(2,500)	(.02)	(4.4)	.0025

Afbeelding 1



ONTLUUCHER/FILTEROPENING

OPTIONELE MONTAGEPOORT VERDEELSTUK

AFMETINGEN mm (inch)

Modelnr.	A	B	C	D	E	F	G	H
WFL111	99,3 (3.91)	89,7 (3.53)	#4 SAE	6,4 (.25)	14,2 (.56)	14,5 (.57)	51,3 (2.02)	17,8 (.70)
WFL112	99,3 (3.91)	89,7 (3.53)	.25-19 BSPP	6,4 (.25)	14,2 (.56)	14,5 (.57)	51,3 (2.02)	17,8 (.70)
Modelnr.	I	J	K	L	M	N	O	P
WFL111	27,4 (1.08)	85,1 (3.35)	4,6 (.18)	Ø16,0 (Ø.629)	1.375-18 UNEF	M10x1,5 6G	9,7 (.38)	Ø7,21 (Ø.284)
WFL112	27,4 (1.08)	85,1 (3.35)	4,6 (.18)	Ø16,0 (Ø.629)	1.375-18 UNEF	M10x1,5 6G	9,7 (.38)	Ø7,21 (Ø.284)
Modelnr.	Q	R	S	T	U			
WFL111	23,9 (.94)	41,1 (1.62)	Ø60,5 (Ø2.38)	19,1 (.75)	38,1 (1.50)			
WFL112	23,9 (.94)	41,1 (1.62)	Ø60,5 (Ø2.38)	19,1 (.75)	38,1 (1.50)			

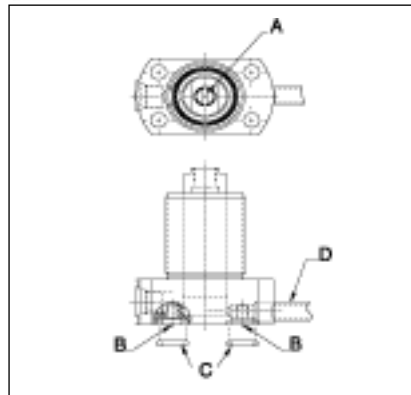
Modelnr.	A	B	C	D	E	F	G	H
WSL111	82,6 (3.35)	75,4 (2.97)	#4 SAE	6,4 (.25)	11,2 (.44)	14,5 (.57)	40,6 (1.60)	9,9 (.39)
WSL112	82,6 (3.35)	75,4 (2.97)	.25-19 BSPP	6,4 (.25)	11,2 (.44)	14,5 (.57)	40,6 (1.60)	9,9 (.39)
Modelnr.	I	J	K	L	M	N	O	P
WSL111	23,9 (.94)	70,9 (2.79)	4,6 (.18)	Ø16,0 (Ø.629)	1.375-18 UNEF	M10x1,5 6G	9,7 (.38)	Ø7,21 (Ø.284)
WSL112	23,9 (.94)	70,9 (2.79)	4,6 (.18)	Ø16,0 (Ø.629)	1.375-18 UNEF	M10x1,5 6G	9,7 (.38)	Ø7,21 (Ø.284)
Modelnr.	Q	R	S	T	U			
WSL111	23,9 (.94)	41,1 (1.62)	60,5 (2.38)	19,1 (.75)	38,1 (1.50)			
WSL112	23,9 (.94)	41,1 (1.62)	60,5 (2.38)	19,1 (.75)	38,1 (1.50)			

5.0 INSTALLATIE

- Plaats de werkstuksteunen op het laagste punt van het hydraulische systeem van de appendage ter bevordering van het ontluften. Werkstuksteunen moeten ontluicht worden door ze een aantal cycli te laten doorlopen en de lucht in het systeem op het hoogste punt in het systeem te laten ontsnappen.
- Installeer de werkstuksteunen door ze ofwel in de appendage te schroeven met de bijbehoren tegenmoeren of door de flens aan de appendage te schroeven. De werkstuksteun dient zodanig te worden gemonteerd dat de plunjer ongeveer bij het midden van de slag is wanneer de plunjer het werkstuk in de appendage raakt. Als de werkstuksteun hydraulisch met een verdeelstuk via de onderste poort aan de appendage gemonteerd moet worden, moeten eerst de poortschroefplug en de koperen pakking worden verwijderd (zie B bij Afbeelding 2). Smeer de bijgeleverde O ring en installeer hem (zie Afbeelding 2) in de verzonken boring rond de poort voordat de stutsteun wordt gemonteerd en vastgeschroefd. Zorg ervoor dat de O ring niet beklemd raakt of beschadigd wordt tijdens het monteren, aangezien dit lekkage tot gevolg kan hebben. Om ervoor te zorgen dat de montage van het verdeelstuk niet lekt, voorziet u in een montageoppervlak voor de appendage met een vlakheid tot op 0,08 mm en een oppervlakteoneffenheid van niet meer dan Ra 0,8.



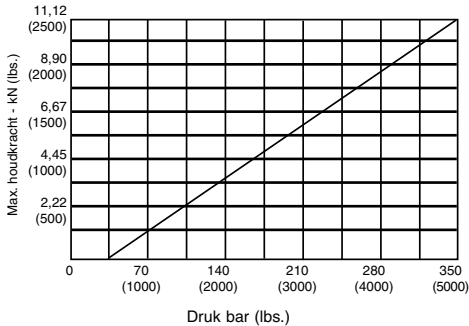
WAARSCHUWING Het verdeelstuk van de appendage moet een hydraulische werkdruk van 350 bar kunnen weerstaan.



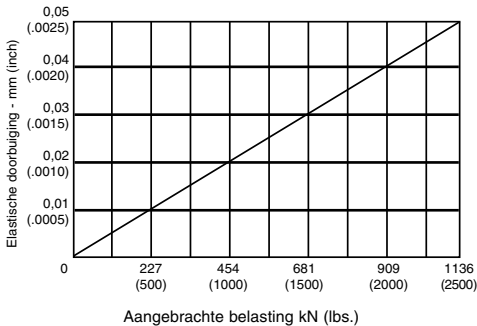
Afbeelding 2

- A - Veerkrachtinstellingsschroef**
 - B - Poortschroef (moet verwijderd worden voor montage van verdeelstuk)**
 - C - O ring (voor montage van verdeelstuk)**
 - D - Slang ontluftingsventiel ontlufter**
- Bij het aanbrengen van hydraulische verbindingen aan de zijpoort verwijdert u de poortplug en sluit u de hydraulische leiding aan met behulp van de juiste aansluitingen. Alle slangen, leidingen en aansluitingen moeten op minimaal 350 bar berekend zijn.

TABEL 1
MAXIMALE HOUDKRACHT T.O.V.
HYDRAULISCHE WERKDRUK



TABEL 2
DOORBUIGING STUTSTEUN T.O.V.
TOEGEPASTE BELASTING



- De hydraulische krachtpomp mag maximaal 350 bar leveren. Krachtpompen moeten groot genoeg zijn om een bruikbare olietoevoer te kunnen leveren voor de werkstuksteunen, slangen, klemmen en alle andere onderdelen in het systeem. Raadpleeg Tabel 1 voor maximale houdkrachten t.o.v. de werkdruk.
- Als er een risico bestaat op het binnendringen van koelmiddelen, rommel en schilfers in de cilinder via de het ontluichtingsventiel van de ontluichter (zie Afbeelding 2), moet u een leiding aansluiten op de ontluichtingspoort die naar een gebied leidt dat vrij is van schilfers, koelmiddelen etc.

5.1 Alleen voor veer uitgeschoven werkstuksteunen

Als het binnendringen van koelmiddel en rommel in de werkstuksteun een probleem vormt, moet u de werkstuksteun als luchtveer installeren. Hierbij wordt lucht door de afstrijker geblazen en dit voorkomt dat koelmiddel en rommel de werkstuksteun binnendringt.

- Verwijder de contactbout samen met de veer uit de binnenkant van de plunjer van de werkstuksteun.

- Na het verwijderen van de veer brengt u de contactbout opnieuw aan, en gebruikt u Loctite 242 om de schroefdraden af te dichtten.
- Sluit de slang van de ontluichter aan op de ontluichtingspoort. Door de werkstuksteun een luchttoevoer te geven die instelbaar is van nul tot 0,35 bar wordt deze nu een werkstuksteun met "luchtvering".
- U kunt de kracht waarmee de plunjer het werkstuk raakt verhogen of verlagen door de druk van de luchttoevoer bij te stellen.

OPMERKING: Om te voorkomen dat het werkstuk omhoogkomt mag de luchtdruk niet hoger worden dan 0,35 bar.

Om een lucht uitgeschoven type werkstuksteun te maken, installeert u een luchtleiding (hierboven beschreven) en voegt u een handbediende luchtklep met twee standen (VA 42) of een elektromagnetisch bediende luchtklep (VAS 42) toe aan de toevoerleiding. Deze klep blokkeert de luchttoevoer en ontluicht de werkstuksteun in de ene stand en levert lucht zonder ontluchting in de andere stand.

OPMERKING: Wanneer de luchttoevoer afgekoppeld wordt van de werkstuksteun, loopt de plunjer niet vanzelf terug, behalve door zwaartekracht wanneer hij verticaal is gemonteerd. De plunjer is echter vrij om te bewegen als er tegenaan gestoten wordt of als hij in aanraking komt met een werkstuk dat wordt aangebracht of verwijderd.

5.2 Aanpassingen

Als de werkstuksteun gebruikt moet worden zonder contactbout, vervang de bout dan door de bijgeleverde stelschroef. Dicht deze stelschroef af met Loctite 242 en plaats hem gelijk met de bovenkant van de plunjer.

6.0 WERKING

- Installeer de werkstuksteunen volgens de voorgaande instructies.
- Plaats het werkstuk in de appendage en boven de werkstuksteunen.
- Activeer de hydraulische druk om de plunjer uit te laten lopen tegen het werkstuk. De stand van de plunjer wordt aangehouden totdat de hydraulische druk wordt ontlast.
- Klem het werkstuk in een stand die de machinale bewerking gemakkelijker maakt.
- Als de machinale bewerking voltooid is, maakt u de klemmen los en ontlast u de hydraulische druk in de werkstuksteun. De werkstuksteunen komen nu vrij en de plunjers lopen terug.
- Verwijder het werkstuk uit de appendage.

OPMERKING: De opgegeven maximale belasting op de plunjer van de steun niet overschrijden. Deze belasting is het resultaat van klemkrachten van andere hydraulische componenten zoals zwenkklemmen en bewerkingskrachten. Tabel 1

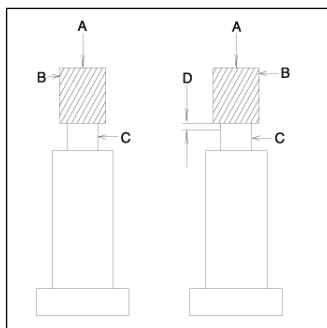
toont de maximale houdkracht t.o.v. de druk die de plunjer vergrendelt. Tabel 2 toont de uitwijking van de stutsteunplunjer wanneer de cilinder wordt belast.

6.1 Alleen voor veer-uitgeschoven werkstuksteunen:

Werking gelijk aan die van een werkstuksteun die gebruik maakt van lucht als vering. Als lucht gebruikt wordt om the plunjer uit te laten lopen, moet de luchtklep verschoven worden om the plunjer uit te laten lopen nadat het werkstuk in de uiteindelijke stand in het appendage is gemonteerd. De luchtklep kan worden ontlast nadat de stutsteun hydraulisch vergrendeld is.

7.0 ONDERHOUD EN SERVICE

Onderhoud is vereist wanneer slijtage en/of lekkage wordt opgemerkt. Inspecteer zo nu en dan alle onderdelen om eventuele problemen op te sporen die service en onderhoud vereisen. Enerpac levert Reparatie-onderdelensets voor onderhoud van de apparatuur. Er is ook een Reparatie-onderdelenblad verkrijgbaar. Neem contact op met den vertegenwoordiger van Enerpac.



Abbeelding 3

- A - Belasting**
- B - Werkstuk**
- C - Stutsteunplunjer**
- D - Afwijking**

8.0 OPSPOREN VAN STORINGEN

Probleem	Mogelijke oorzaak
Plunjer loopt niet helemaal uit wanneer de systeemdruk ingeschakeld wordt.	<ol style="list-style-type: none"> 1. Kijk of hydraulisch systeem maximale opbrengst overschrijdt (zie specificatietabel). 2. Kijk of spanveer gebroken is. 3. Controleer plunjer en mof op beschadiging.
Werkstuksteun heft onderdeel van rustoppervlakken af.	<ol style="list-style-type: none"> 1. Werkstuksteun kan te groot zijn voor toepassing.
Plunjer van werkstuksteun slijpt.	<ol style="list-style-type: none"> 1. Hydraulische druk is misschien lager dan het minimum vereist om plunjer op zijn plaats te houden. 2. Snijkrachten overschrijden wellicht het vermogen van de werkstuksteun
Plunjer komt niet tot uitgeschoven hoogte.	<ol style="list-style-type: none"> 1. Hydraulische druk in systeem is niet ontlast. 2. Te hoge tegendruk tengevolge van buizen met kleine diameter of scherpe bochten. 3. Controleer plunjer, mof en afstriker op beschadiging of opgehoopte rommel. 4. Controleer of terugloopveer gebroken is.
Olie lekt uit werkstuksteun.	<ol style="list-style-type: none"> 1. Controleer afdichtingen op slijtage of beschadiging. 2. Verbinding met werkstuksteunen lekt misschien.

L2068 Rev A 08/02

Folhas de Instrução para este produto estão disponíveis no Site de Enerpac - www.enerpac.com, ou no Centro de Serviço Autorizado mais próximo, ou com o Escritório de Vendas Enerpac.

1.0 INSTRUÇÕES IMPORTANTES NO RECEBIMENTO

Inspecione visualmente todos os componentes, verificando se houve avarias durante o transporte. Avarias no transporte não são cobertas pela garantia. Caso haja avarias no transporte, avise o transportador imediatamente. O transportador é responsável por todos os custos de consertos e substituições decorrentes de avarias ocorridas no transporte.

SEGURANÇA EM PRIMEIRO LUGAR

2.0 ASSUNTOS DE SEGURANÇA



Leia cuidadosamente todas as instruções, advertências e avisos sobre precaução. Siga todas as recomendações de segurança para evitar lesões pessoais ou danos à propriedade durante a operação do sistema. Enerpac não pode ser responsável por danos ou lesões pessoais resultantes do uso indevido do produto, falta de manutenção ou operação inadequada do produto e/ou sistema. Entre em contato com Enerpac quando houver dúvidas sobre as recomendações de segurança e operações. Se você nunca recebeu treinamento em segurança na hidráulica de alta pressão, consulte o seu distribuidor ou centro de serviço sobre um curso de segurança hidráulica Enerpac.

Falhas no cumprimento das advertências e avisos de precaução podem causar lesões pessoais e avarias ao equipamento.

PRECAUÇÃO é usada para indicar a operação correta ou os procedimentos e métodos de manutenção para prevenir o dano, a destruição do equipamento ou outras propriedades.

ADVERTÊNCIA indica um perigo potencial que exige procedimentos ou métodos corretivos para evitar lesões pessoais.

PERIGO é usado somente quando a ação ou a falta da mesma podem causar lesões sérias ou mesmo a morte.



ADVERTÊNCIA: Use equipamentos individuais de proteção quando acionar equipamentos hidráulicos.



ADVERTÊNCIA: Mantenha distância de cargas apoiadas por cilindros hidráulicos. Um cilindro, quando utilizado como dispositivo de levantamento, jamais deve ser usado como dispositivo de sustentação de carga. Depois de haver sido levantada ou baixada, a carga deve sempre ser bloqueada mecanicamente



PERIGO: Para evitar lesões pessoais mantenha as mãos e os pés afastados dos cilindros e acessórios durante a operação.



ADVERTÊNCIA: Não exceda a capacidade do equipamento. Nunca tente levantar uma carga mais pesada que a capacidade do cilindro. Excesso de carga pode causar falhas no equipamento e possíveis lesões pessoais. Os cilindros são projetados para uma pressão máxima de 350 bar [5.000 psi]. Não faça a ligação entre um macaco ou um cilindro com uma bomba com capacidade maior de pressão.



Nunca ajuste uma válvula de alívio com pressão maior que a capacidade de pressão máxima da bomba. Ajustes maiores podem resultar em danos ao equipamento e/ou lesões pessoais.



ADVERTÊNCIA: A pressão de operação do sistema não deve exceder a capacidade de pressão do componente de menor capacidade no sistema. Instale manômetros de pressão no sistema para monitorar a pressão de operação. É a sua janela para o que está acontecendo no sistema.



PRECAUÇÃO: Evite danificar a mangueira hidráulica. Evite curvas ou dobras pronunciadas quando direcionar as mangueiras hidráulicas. O uso de uma mangueira curvada ou dobrada causará aumento na pressão de retorno. Curvas ou dobras pronunciadas danificarão a mangueira internamente, levando a um desgaste prematuro.



Não derrube objetos pesados na mangueira. Um forte impacto pode causar danos à trama interna de aço da mangueira. A aplicação de pressão em uma mangueira danificada pode causar a sua ruptura.



IMPORTANTE: Não levante o equipamento hidráulico pela mangueira ou pelos engates. Use manoplas ou outros meios mais seguros para o transporte.



PRECAUÇÃO: Mantenha o equipamento hidráulico longe do calor e das chamas. O calor excessivo amolece vedações e selos, resultando em vazamento de fluidos. O calor também enfraquece o material das mangueiras e das juntas. Para um desempenho otimizado não exponha o equipamento a temperatura maiores que 65 °C [150 °F]. Proteja mangueiras e cilindros dos respingos de solda.



PERIGO: Não manuseie mangueiras pressurizadas. O escape do óleo sob pressão pode penetrar na pele, causando lesões sérias. Se o óleo penetrar na pele, procure um médico imediatamente.



ADVERTÊNCIA: Use somente cilindros hidráulicos num sistema acoplado. Nunca use um cilindro com engates não conectados. Caso o cilindro se torne extremamente sobrecarregado, os componentes podem falhar catastróficamente, causando severas lesões pessoais.



IMPORTANTE: Somente técnicos em hidráulica, devidamente qualificados, devem fazer a manutenção de equipamentos hidráulicos. Para serviços de manutenção, entre em contato com o Centro de Serviço Autorizado Enerpac em sua área. Para proteger sua garantia, use somente óleo Enerpac.



ADVERTÊNCIA: Substitua imediatamente peças gastas ou danificadas por peças genuínas Enerpac. Peças não genuínas podem quebrar, causando lesões pessoais ou danos à propriedade. As peças Enerpac são projetadas para se encaixar adequadamente e sustentar cargas pesadas.

3.0 DESCRIÇÃO

Estes cilindros tipo suporte, com avanço hidráulico, fornecem apoio adicional para evitar movimentos excessivos, vibrações ou deflexões da peça a ser trabalhada, durante a usinagem. Como alternativas, os cilindros tipo suporte com acionamento por mola podem também ser usados com acionamento pneumático, com a simples remoção da mola interna ajustável e a ligação de uma linha de ar de baixa pressão na saída do respiro.

4.0 ESPECIFICAÇÕES

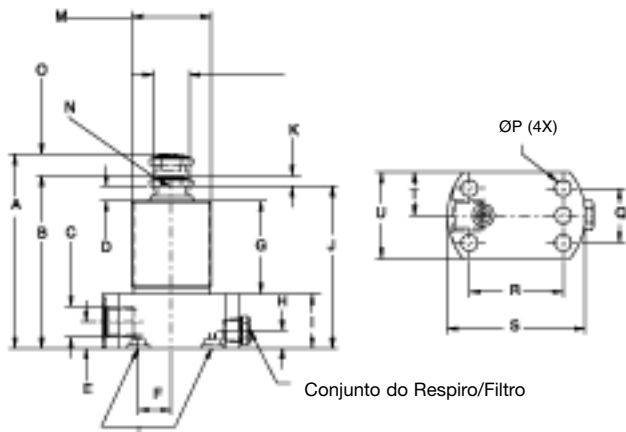
5.0 INSTALAÇÃO

1. Posicione os cilindros tipo suporte no ponto mais baixo do sistema hidráulico, para auxiliar na sangria do ar. Os cilindros devem ser sangrados, através de vários ciclos, o que permite que o ar saia no ponto mais alto do sistema.
2. Instale os cilindros tipo suporte, rosqueando-os no dispositivo, com o auxílio de porcas tipo trava, ou aparafusando o flange no dispositivo. Monte os cilindros de tal forma que a haste fique posicionada mais ou menos no meio de seu curso, quando entrar em contato com a peça a

Tabela de Especificações

Modelo	Faixa de pressão	Curso (mm)	Capacidade na Pressão Máxima kN	Capacidade de Óleo cm ³	Força Aplicada pela Mola @ Ponto Médio do Curso kN	Deflexão do Cilindro tipo Suporte @ Força Máxima kN
WFL111/112	0-5000 PSI 0-350 BAR	.38 (9,65)	2,500 (1136)	.06 (0,98)	4.3 (1,95)	.0025 (0,06)
WSL111/112	0-5000 PSI 0-350 BAR	.38 (9,65)	2,500 (1136)	.02 (0,33)	4.4 (1,99)	.0025 (0,06)

Figura 1



Modelo	A	B	C	D	E	F	G	H
WFL111	3.91 (99,3)	3.53 (89,7)	#4 SAE	.25 (6,4)	.56 (14,2)	.57 (14,5)	2.02 (51,3)	.70 (17,8)
WFL112	3.91 (99,3)	3.53 (89,7)	.25-19 BSPP	.25 (6,4)	.56 (14,2)	.57 (14,5)	2.02 (51,3)	.70 (17,8)
Modelo	I	J	K	L	M	N	O	P
WFL111	1.08 (27,4)	3.35 (85,1)	.18 (4,6)	Ø.629 (Ø16,0)	1.375-18 UNEF	M10x1,5 6G	.38 (9,7)	Ø.284 (Ø7,21)
WFL112	1.08 (27,4)	3.35 (85,1)	.18 (4,6)	Ø.629 (Ø16,0)	M35x1,5 6G	M10x1,5 6G	.38 (9,7)	Ø.284 (Ø7,21)
Modelo	Q	R	S	T	U	Dimensões mm (in)		
WFL111	.94 (23,9)	1.62 (41,1)	Ø2.38 (Ø60,5)	.75 (19,1)	1.50 (38,1)			
WFL112	.94 (23,9)	1.62 (41,1)	Ø2.38 (Ø60,5)	.75 (19,1)	1.50 (38,1)			

Modelo	A	B	C	D	E	F	G	H
WSL111	3.35 (82,6)	2.97 (75,4)	#4 SAE	.25 (6,4)	.44 (11,2)	.57 (14,5)	1.60 (40,6)	.39 (9,9)
WSL112	3.35 (82,6)	2.97 (75,4)	.25-19 BSPP	.25 (6,4)	.44 (11,2)	.57 (14,5)	1.60 (40,6)	.39 (9,9)
Modelo	I	J	K	L	M	N	O	P
WSL111	.94 (23,9)	2.79 (70,9)	.18 (4,6)	Ø.629 (Ø16,0)	1.375-18 UNEF	M10x1,5 6G	.38 (9,7)	Ø.284 (Ø7,21)
WSL112	.94 (23,9)	2.79 (70,9)	.18 (4,6)	Ø.629 (Ø16,0)	M35x1,5 6G	M10x1,5 6G	.38 (9,7)	Ø.284 (Ø7,21)
Modelo	Q	R	S	T	U	Dimensões mm (in)		
WSL111	.94 (23,9)	1.62 (41,1)	Ø2.38 (60,5)	.75 (19,1)	1.50 (38,1)			
WSL112	.94 (23,9)	1.62 (41,1)	Ø2.38 (60,5)	.75 (19,1)	1.50 (38,1)			

ser trabalhada no dispositivo. Caso o cilindro seja montado em manifold no dispositivo, através da entrada inferior, deve-se antes remover as tampas de entrada e as gaxetas de cobre. (ver item B, Figura 2). Lubrifique os "O rings"(anéis tipo "O") e instale-os (ver Figura 2) nos canais da conexão, antes de montar e aparafusar o cilindro tipo suporte. Certifique-se de que os "O-rings"(anéis tipo "O") não sejam "mordidos" ou danificados de qualquer forma, durante esta montagem, para evitar vazamentos. Para garantir que a montagem do manifold não apresenta vazamento, providencie uma superfície de montagem nivelada para o dispositivo, com uma precisão de 0.08 mm e que a rugosidade de superfície não ultrapasse Ra 0,8.



ADVERTÊNCIA: O manifold do dispositivo deve ser capaz de suportar uma pressão hidráulica de trabalho de 350 bar (5000 psi).

3. Ao fazer as ligações hidráulicas para a saída lateral, remova a tampa e conecte a linha hidráulica usando as conexões adequadas. Todas as mangueiras, linhas e conexões devem ser apropriadas para a pressão nominal mínima de 350 bar (5000 psi).

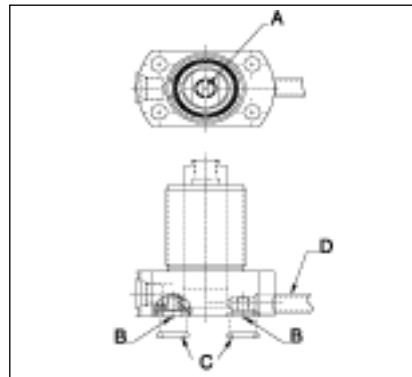


Figura 2

- A - parafuso de ajuste de força da mola
- B - tampa (deve ser removida para a montagem em manifold)
- C - "O-ring (anel tipo "O") (para montagem em manifold)
- D - tubo de respiro de ventilação

4. A pressão hidráulica da bomba deve ser de, no máximo, 350 bar. As bombas de acionamento devem ter capacidade suficiente para fornecer uma vazão de óleo adequada para todos cilindros tipo suporte, mangueiras, grampos e todos os outros itens no sistema. Verifique na Tabela 1 as cargas máximas aplicadas vs. pressão de trabalho.

TABELA 1
FORÇA MÁXIMA DE FIXAÇÃO VS. PRESSÃO
HIDRÁULICA DE TRABALHO

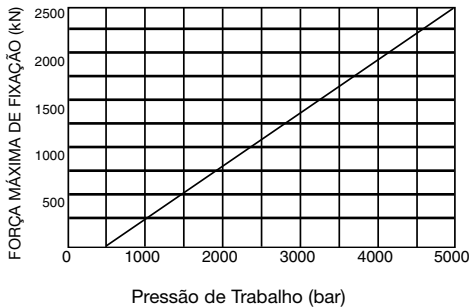
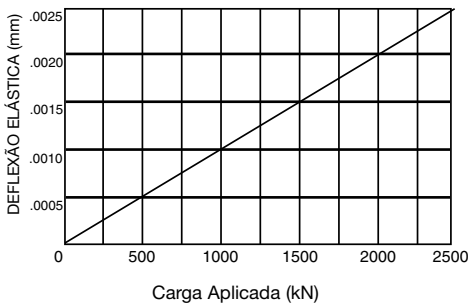


TABELA 2
DEFLEXÃO DA HASTE DO CILINDRO TIPO SUPORTE
VS. CARGA APLICADA (A PRESSÃO DE TRABALHO
DE 350 bar)



5. Caso haja risco da entrada de óleo de corte da usinagem, sujeira e cavacos no cilindro através do respiro de ventilação (ver Figura 2), coloque um tubo no respiro com uma linha que corre para uma área protegida de sujeira, óleo de corte, etc.

5.1 Somente para Cilindros tipo Suporte com Avanço por Mola:

Caso o óleo de corte e os cavacos da usinagem possam criar um problema na entrada dos cilindros tipo suporte, instale o cilindro com acionamento pneumático. Isto vai expelir o ar através do raspador e ajudar a evitar que o óleo de corte e os cavacos entrem no cilindro.

1. Remova o parafuso de contato de dentro da haste do cilindro juntamente com a mola.
2. Depois de remover a mola, coloque novamente o parafuso de contato, utilizando Loctite 242 para selar as roscas.
3. Conecte o tubo de respiro na saída de ventilação de ar. Fornecendo um suprimento de ar ajustável de zero a 0,35 bar, o cilindro torna-se, agora, um cilindro tipo suporte com acionamento pneumático.

4. Aumente ou diminua a força de contato da haste contra a peça a ser trabalhada, ajustando a pressão de suprimento de ar.

NOTA: Para evitar que a peça levante, não ultrapasse 0,35 bar. Para fazer o cilindro funcionar com avanço pneumático, instale uma linha de ar (descrita acima) e acrescente uma válvula pneumática manual de duas posições (VA-42) ou uma válvula pneumática solenóide (VAS-42) à linha de suprimento. Esta válvula vai bloquear o suprimento de ar e ventilar o cilindro tipo suporte numa determinada posição, fornecendo ar sem ventilação, na outra posição.

NOTA: Quando não há suprimento de ar para o cilindro tipo suporte, a haste não retraí por si só, exceto por gravidade, quando montado verticalmente. Entretanto, a haste estará livre para movimentar-se, quando tocada pela peça a ser trabalhada, ao ser carregada ou descarregada.

5.2 Modificações

Se o cilindro tipo suporte deve ser usado sem parafuso de contato, substitua-o pelo parafuso sem cabeça fornecido. Vede este parafuso com Loctite 242 e posicione-o nivelado com a parte superior da haste.

6.0 OPERAÇÃO

1. Instale os cilindros tipo suporte de acordo com as instruções acima.
2. Coloque a peça a ser trabalhada no dispositivo e sobre os cilindros tipo suporte.
3. Acione a pressão hidráulica para empurrar a haste contra a peça a ser trabalhada. A posição da haste do cilindro tipo suporte será mantida até que a pressão hidráulica seja liberada.
4. Fixe a peça a ser trabalhada em posição, para facilitar as operações de usinagem.
5. Ao terminar a usinagem, libere os grampos e depois solte a pressão hidráulica do cilindro tipo suporte. Os cilindros tipo suporte agora estarão livres e as hastes se retrairão.
6. Remova a peça do dispositivo.

NOTA: Não ultrapasse a carga máxima especificada para a haste do cilindro tipo suporte. Esta carga é o resultado das forças de fixação dos outros componentes hidráulicos, tais como os cilindros giratórios e as forças da usinagem. A Tabela 1 mostra a carga máxima aplicada contra a pressão que trava a haste. A Tabela 2 mostra a deflexão da haste do cilindro tipo suporte quando uma carga é aplicada ao mesmo.

6.1 Somente para Cilindros tipo Suporte com avanço por mola:

A operação é semelhante a do cilindro tipo suporte utilizando acionamento pneumático e não acionamento por mola. Caso o ar seja usado para fazer com que a haste avance, então a válvula pneumática deve ser acionada para a posição de avanço, depois que a peça estiver montada em sua

posição final no dispositivo. A válvula pneumática pode ser liberada depois que o cilindro tipo suporte estiver travado hidráulicamente.

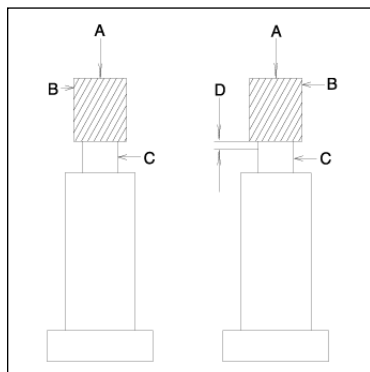


Figura 3

A – Carga

B – Peça a ser trabalhada

C – Haste do Cilindro tipo Suporte

D – Deflexões

7.0 MANUTENÇÃO E SERVIÇOS

A manutenção é necessária quando desgaste e/ou vazamentos são percebidos. Inspeção regularmente para detectar qualquer problema que exija serviços e manutenção. Enerpac oferece Jogos de Reparo para manutenção do equipamento. Folhas de Instruções sobre Peças de Reposição também estão disponíveis. Entre em contato com seu representante Enerpac.

8.0 SOLUCIONANDO PROBLEMAS

Problema	Causa Possível
Haste não avança completamente quando a pressão máxima do sistema está acionada.	<ol style="list-style-type: none"> 1. Determine se o sistema hidráulico está ultrapassando a vazão nominal (ver tabela de especificações) 2. Verifique se a mola de avanço está quebrada. 3. Verifique se há danos na haste e na camisa.
Cilindro tipo Suporte levanta a peça dos encostos do dispositivo.	<ol style="list-style-type: none"> 1. Cilindro tipo Suporte pode estar superdimensionado para a aplicação.
Haste do cilindro tipo suporte está escorregando.	<ol style="list-style-type: none"> 1. Pressão hidráulica pode estar abaixo do valor mínimo para travar a haste. 2. Forças de corte podem estar ultrapassando a capacidade do cilindro tipo suporte.
Haste não retrai. Haste não atinge a extensão total.	<ol style="list-style-type: none"> 1. Pressão hidráulica não foi removida do sistema. 2. Resistência de fluxo interno em função do diâmetro inadequado ou dobras acentuadas do tubo. 3. Verifique se há danos ou acúmulo de sujeira na haste e na camisa 4. Verifique se a mola de retorno está quebrada.
Há vazamento de óleo no cilindro tipo suporte.	<ol style="list-style-type: none"> 1. Verifique se há desgaste ou danos das vedações. 2. A ligação dos cilindros tipo suporte pode estar vazando.

L2068 改訂A 08/02

エナパック製品のリベアパーツシートはエナパックのホームページ www.enerpac.com よりダウンロードして入手することが出来ます。またはお近くのエナパック認定サービスセンターあるいはエナパック営業所にお問合せください。

2.0 安全事項



指示、警告、注意は必ずよくお読みください。安全注意事項に従って、システム操作中に、人身事故や器物破損が起こらないようにして下さい。エナパックは、不安全な製品の使用、保守の不足、製品及び/又はシステムの不正な操作から生じる損傷や怪我には責任を負いません。安全注意事項及び操作に関して疑問点があれば、エナパックまでお問い合わせ下さい。高圧油圧の安全に関する訓練を受けたことがない場合、無料のエナパックハイドロリック安全コースについて、担当の販売店又はサービスセンターにお問い合わせ下さい。

以下の注意及び警告に従わない場合、装置破損や人身事故の原因となる恐れがあります。

注意は、装置やその他器物の破損を防止するための、適正な操作や保守手順を示す場合に使われます。

警告は、人身事故を予防するために適正な手順や心得が必要な、潜在的な危険性を示します。

危険は、重傷や死亡事故の原因となる恐れがある、禁止行為又は必須行為を示します。



警告：油圧装置を操作中は、適正な保護具を着用して下さい。



警告：油圧によって支える荷物はきれいにしておいて下さい。シリンダを荷揚げのために利用する場合、絶対に荷重保持には使用しないで下さい。荷物を揚げ降ろした後は、必ず機械的なブロック（固定）を施して下さい。



危険：操作中は、人身事故を防止するため、シリンダや作業物から手足を離して下さい。



警告：装置の定格を超えないようにして下さい。シリンダの能力を超える重量の荷揚げは絶対に行わないで下さい。過荷重は、装置の故障や場合によっては人身事故の原因となります。シリンダに設計されている最大圧力は、70Mpaです。ジャッキやシリンダは、定格で70Mpaを超える圧力のポンプには接続しないで下さい。



リリーフバルブは、ポンプの最大定格圧力以上の高圧に設定しないで下さい。高圧に設定すると、装置の破損及び/又は人身事故の原因となる恐れがあります。



警告：システムの使用圧力は、システム内の最低定格部品の圧力定格を超えないようにして下さい。圧力計をシステムに取り付けて、使用圧力をモニターして下さい。システムの監視は、各自が行って下さい。

危険：油圧ホースを損傷させないで下さい。油圧ホースは、取組時に折り曲げたりねじったりしないで下さい。ホースを折れ曲がったりねじれたままにしておくと、ホースの内層が損傷して、早期故障を引き起こします。



ホースの上に重い物を落とさないで下さい。強い衝撃によって、ホース内部のワイヤストランドが損傷する恐れがあります。損傷しているホースに圧力をかけると、破裂する恐れがあります。



重要：油圧装置は、ホースやスイベルカプラを使って持ち上げないで下さい。安全に移動させるために、キャリングハンドルやその他の手段を用いて下さい。



注意：油圧装置は、火気や熱源から離して下さい。過熱によって、パッキンやシールが柔らかくなり、液漏れが生じます。また、熱によって、ホース材やパッキンが劣化します。最適な性能を保つには、装置を65°C以上の温度にさらさないで下さい。ホースやシリンダに対する油接スパッタは避けて下さい。



危険：加圧されているホースには、触れないで下さい。加圧状態のオイルが濡れて皮膚に浸透すると、重大な人身事故の原因となります。オイルが皮膚下にしみ込んだ場合、すぐに医師の診断を受けて下さい。



警告：油圧シリンダは、必ず連結システムで使用して下さい。カプラを接続していないシリンダは使用しないで下さい。シリンダは、過度な過荷重を受けると、部品が破損されて、重大な人身事故の原因となります。



重要：油圧装置は、必ず有資格油圧技術者が整備点検を行って下さい。修理サービスについては、最寄のエナバックサービスセンターにお問い合わせ下さい。保証を受けるためには、必ずエナバックオイルを使用して下さい。



警告：磨耗したり損傷した部品は、すぐにエナバックの純正部品と交換して下さい。市販の標準部品は、破損して、人身事故や器物破損の原因となる場合があります。エナバック製の部品は、高荷重に適合及び耐えるように設計製造されています。

3.0 解説

これらのばね前進式ワークサポートは、機械加工作業中に発生する部品の過剰な動き、振動またはふれの防止をサポートし防止します。代わりに、ばね前進式ワークサポートの内蔵スプリングを外して低圧エアラインをエアイベントに接続して、エアスプリング式またはエア前進式のワークサポートのどちらかとして、ワークサポートを使用することができます。

4.0仕様

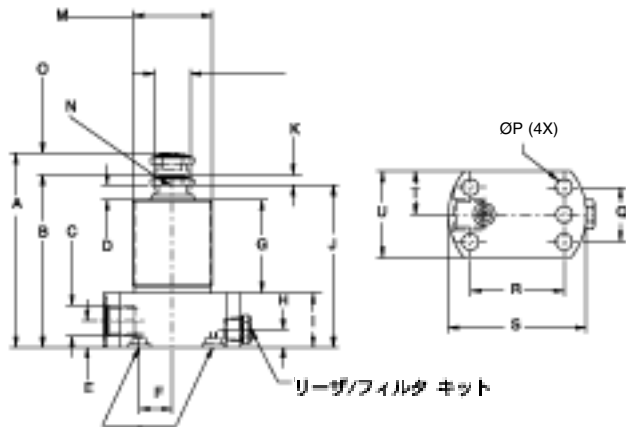
5.0 設置

1. エア抜きが可能なように、設備の油圧システムの最低位置にワークサポートを配置します。ワークサポートを6.7回作動させてエアを抜き、システム内のエアがシステムの最も高い位置からエア抜きされるようにしなければなりません。
2. ワークサポートは、付属のジャムナットを使用して装置にネジで固定するか、フランジをボルトで固定して装置に取り付けます。ワークサポートを、設備治具で作業中のワーク部品に触れたときにプランジャがストロークのほぼ中間に来るように取り付けます。ワークサポートが底部ポートに取り付けられた油圧マニホールドの場合、ポートのネジプラグおよび銅製のガスケットを最初に取り外す必要があります（図2の部品8を参照）。付属のOリングに潤滑を行い、ワークサポートを取り付けて固定する前に、ポートの周りのOリング溝（図2参照）に取り付けます。漏れが生じないように、取り付け中にOリングを挟まんだり損傷しないように注意してください。マニホールドの取り付け部から漏れが発生しないように、装置の取り付け面の凹凸が0.003インチ（0.08mm）以内、表面粗度が32 μin. rms. (Ra 0.8) 以内になるようにします。

仕様表

モデル番号	圧力範囲	ストローク (単位は in. カッコ内は cm)	最大圧力時 の容量 (単位は lbs. カッコ 内は kg)	オイル容量 (単位は in.3. カッコ 内は cm3)	ストロークの 中間点でのバネ 負荷 (単位は lbs. カッコ内は kg)	最大負荷時に 許容される振 れ幅 (単位は in., カッコ内は mm)
WFL111/112	0-5000 PSI 0-350 BAR	.38 (9,65)	2,500 (1136)	.06 (0,98)	4.3 (1,95)	.0825 (0,06)
WSL111/112	0-5000 PSI 0-350 BAR	.38 (9,65)	2,500 (1136)	.02 (0,33)	4.4 (1,99)	.0825 (0,06)

図 1



モデル番号	A	B	C	D	E	F	G	H
WFL111	3.91 (99,3)	3.53 (89,7)	#4 SAE	.25 (6,4)	.56 (14,2)	.57 (14,5)	2.02 (51,3)	.70 (17,8)
WFL112	3.91 (99,3)	3.53 (89,7)	.25-19 BSPP	.25 (6,4)	.56 (14,2)	.57 (14,5)	2.02 (51,3)	.70 (17,8)
モデル番号	I	J	K	L	M	N	O	P
WFL111	1.08 (27,4)	3.35 (85,1)	.18 (4,6)	Ø.629 (Ø16,0)	1.375-18 UNEF	M10x1,5 6G	.38 (9,7)	Ø.284 (Ø7,21)
WFL112	1.08 (27,4)	3.35 (85,1)	.18 (4,6)	Ø.629 (Ø16,0)	M35x1,5 6G	M10x1,5 6G	.38 (9,7)	Ø.284 (Ø7,21)
モデル番号	Q	R	S	T	U	単位はインチ (カッコ内は mm)		
WFL111	.94 (23,9)	1.62 (41,1)	Ø2.38 (Ø60,5)	.75 (19,1)	1.50 (38,1)			
WFL112	.94 (23,9)	1.62 (41,1)	Ø2.38 (Ø60,5)	.75 (19,1)	1.50 (38,1)			

モデル番号	A	B	C	D	E	F	G	H
WSL111	3.35 (82,6)	2.97 (75,4)	#4 SAE	.25 (6,4)	.44 (11,2)	.57 (14,5)	1.60 (40,6)	.39 (9,9)
WSL112	3.35 (82,6)	2.97 (75,4)	.25-19 BSPP	.25 (6,4)	.44 (11,2)	.57 (14,5)	1.60 (40,6)	.39 (9,9)
モデル番号	I	J	K	L	M	N	O	P
WSL111	.94 (23,9)	2.79 (70,9)	.18 (4,6)	Ø.629 (Ø16,0)	1.375-18 UNEF	M10x1,5 6G	.38 (9,7)	Ø.284 (Ø7,21)
WSL112	.94 (23,9)	2.79 (70,9)	.18 (4,6)	Ø.629 (Ø16,0)	M35x1,5 6G	M10x1,5 6G	.38 (9,7)	Ø.284 (Ø7,21)
モデル番号	Q	R	S	T	U	単位はインチ (カッコ内は mm)		
WSL111	.94 (23,9)	1.62 (41,1)	Ø2.38 (60,5)	.75 (19,1)	1.50 (38,1)			
WSL112	.94 (23,9)	1.62 (41,1)	Ø2.38 (60,5)	.75 (19,1)	1.50 (38,1)			



警告 装置のマニホールドは、35MPa (350 bar) の動作圧力に耐えられるものでなければなりません。

3. 油圧継手にサイドポートを使用する場合には、ポートプラグを取り外し、適切な継手を使用して油圧ラインを接続します。すべてのホース、ラインおよび継手は、少なくとも 35MPa (350 bar) の定格を持つものでなければなりません。

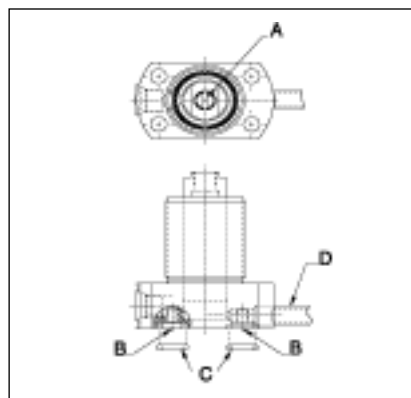


図2

- A - バネ負荷調整ネジ
 B - ポートネジ (マニホールド取り付け時には取り外す)
 C - O リング (マニホールド取り付け用)
 D - プリーザ排気管

4. 電動油圧ポンプは、最大 35MPa (350 bar) を超えてはなりません。油圧ポンプは、ワークサポート、ホース、クランプ及びシステム中のすべての部品を使用できるように作動油を供給するだけの能力を持っている必要があります。最大負荷と作動圧力については表 1 を参照してください。

5. 工作機械のクーラント、破片および切り屑がプリーザの排気口 (図 2 参照) からシリンダ内に入る危険性があるときは、破片やクーラントから保護されている部分につながれたラインをエアイベントに接続します。

5.1 ばね前進式ワークサポートの:

工作機械のクーラントおよび破片がワークサポートに入って弊害になる場合は、ワークサポートをエアスプリングタイプにして取り付けます。これによって、ワイパーを通じて空気が吹き出し、クーラントや破片がワークサポートに入り込むのを防ぎます。

- ワークサポートのプランジャから、内部のバネとともに取り付けボルトを取り外します。
- バネを取り外したら、ロックタイト 242 をネジ山のシールに使用した取り付けボルトと交換します。
- エア プリーザ管をエアイベントに接続します。0 - 0.035MPa (0.35 bar) のエア供給源を使用して、ワークサポートを「エアスプリング」型のワークサポートにすることが出来ます。
- エアの供給圧力を調整して、作業中の部品に対するプランジャの接触力を調整します。

表 1
最大保持力と油圧作動圧力

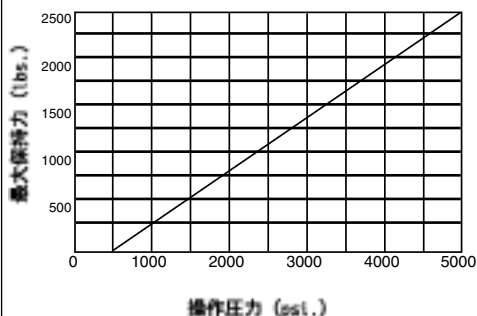
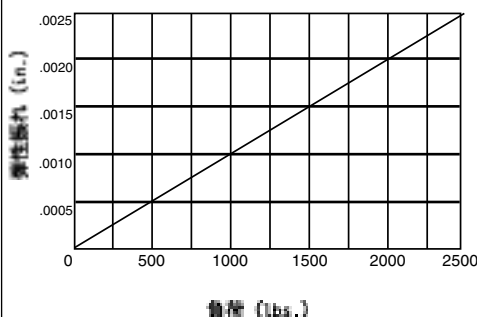


表 2
サポートブランジャの揺れと負荷
(39MPa の作動圧力における)



注：部品が浮き上がるのを防ぐために、0.835MPa (0.35 bar) を超えないようにします。前進式ワークサポートにエアを供給するためにエアライン（前述）を設置して手動二位置エアバルブ（VA-42）またはソレノイドで動作するエアバルブ（VAS-42）を供給ラインに追加します。このバルブは、ワークサポートのエアの供給と排気を 1 カ所にして、他の場所からエアが排出されないようにワークサポートにエアを供給します。

注：エアの供給源がワークサポートから外されたときは、ブランジャは垂直に取り付けられているときに重力によって後退する場合以外は、自動的に後退しません。ただし、ブランジャが機械加工中のワーク部品への負荷をなくすことで自由に動かすことができます。

5.2 調整

ワークサポートをコンタクトボルトなしで使用する場合、ボルトを付属の取り付けネジに交換してください。この取り付けネジはロックタイト 242 でシールして、ブランジャの上面と面を合わせてください。

6.0 作動

1. ワークサポートを前述の指示に従って取り付けます。
2. 作業する部品を装置内のワークサポート上に置きます。
3. 油圧を作動させ、ブランジャを加工部品の方向へ動かします。ワークサポートのブランジャ位置が一定になるまで油圧をかけ続けます。
4. 加工部品を機械の操作が簡単になるように固定します。
5. 加工が完了したときは、クランプをはずしてワークサポートの油圧を開放します。ワークサポートが解放され、ブランジャが後退します。
6. 加工部品を装置から取り外します。

注：サポート用のブランジャにかかる負荷が指定の最大負荷を超えないようにします。この負荷は、回転クランプなどの他の油圧部品による締め付け力および加工の際の力によって発生します。表 1 は、最大負荷とブランジャを固定する圧力を示しています。表 2 は、シリンダに負荷が作用したときのサポートのブランジャの揺れを示しています。

6.1 ばね前進式ワークサポートのみ：

操作は、エアスプリングを使用したワークサポートと同様です。ブランジャを押し出すのにエアを使用する場合は、加工部品を装置内の最終的な位置に取り付けた後で、ブランジャを押し出すためにエアバルブを切換えさせます。エアバルブは、ワークサポートが油圧で固定されてから切換えて解放します。

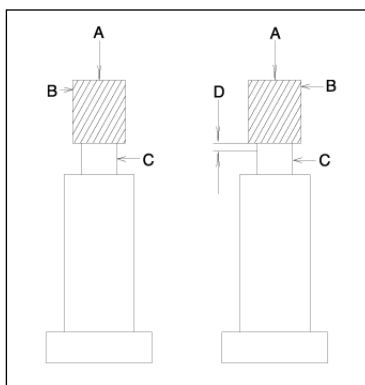


図 3

- A - 負荷 B - 加工部品
C - サポートブランジャ D - 揺れ

7.0 メンテナンスと点検修理

磨耗や揺れが認められたときにはメンテナンスが必要です。定期的なすべての部品を検査して、点検修理やメンテナンスが必要な問題がないか調べます。エナバック では、機器の修理用のリペア・サービス・キットを提供しています。修理部品表も用意しています。エナバック にお問い合わせください。

問題	考えられる原因
システムの最大圧力が作用しているのに プランジャが完全に前に動かない。	<ol style="list-style-type: none"> 1. 油圧システムが定格流量を超えていないか確認します (仕様表を参照)。 2. パネが破損していないか確認します。 3. プランジャ及びスリーブが損傷していないか確認します。
ワークサポートが他の面から浮き上がる。	<ol style="list-style-type: none"> 1. ワークサポートが用途に対して大きすぎる 可能性があります。
ワークサポートのプランジャが漏る。	<ol style="list-style-type: none"> 1. 油圧がプランジャをサポートする最低圧力よりも低い可 能性があります。 2. 切断力がサポートの能力を超えている可能性がありま す。
プランジャが後退しない。プランジャが いっぱいに伸びない。	<ol style="list-style-type: none"> 1. システムへの油圧がリリースされていない可能性があり ます。 2. 配管の径が小さかったり、配管が曲がっているために、 背圧が過剰になっている可能性があります。 3. プランジャおよびスリーブが損傷していないか確認しま す。 4. 戻り側のパネが破損していないか確認します。
ワークサポートからオイルが漏れる。	<ol style="list-style-type: none"> 1. シールに摩耗や損傷がないか確認します。 2. ワークサポートへの操作で漏れが発生している可能性が あります。

Enerpac Worldwide Locations

✦ e-mail: info@enerpac.com

✦ internet: www.enerpac.com

Australia

ENERPAC, Applied Power
Australia Ltd.
Block V Unit 3
Regents Park Estate
391 Park Road
Regents Park NSW 2143
(P.O. Box 261) Australia
Tel: +61 297 438 988
Fax: +61 297 438 648

Canada

Actuant Canada Corporation
6615 Ordan Drive, Unit 14-15
Mississauga, Ontario L5T 1X2
Tel: +1 905 564 5749
Fax: +1 905 564 0305

Toll Free:

Tel: +1 800 268 4987
Fax: +1 800 461 2456

China

Applied Power China Ltd.
1F, 269 Fute N. Road
Waigaoqiao Free Trade Zone
Pudong New District
Shanghai, 200 131
China
Tel: +86 21 5866 9099
Fax: +86 21 5866 7156

Applied Power Asia Pte. Ltd
No. 8 Ang Mo Kio Industrial Park 2
#01-00
Singapore 569500
Tel: +65 6484 5108
Tel: +65 6484 3737
Fax: +65 6484 5669

France, Turkey, Greece,

Africa, Middle East
ENERPAC S.A.
B.P. 200
Parc d'Activités
du Moulin de Massy
F-91882 Massy CEDEX (Paris)
France
Tel: +33 1 601 368 68
Fax: +33 1 692 037 50

Germany, Switzerland,

Austria, Eastern Europe
ENERPAC
Applied Power GmbH
P.O. Box 300113
D-40401 Düsseldorf
Germany
Tel: +49 211 471 490
Fax: +49 211 471 49 28

Hong Kong

ENERPAC
Room 907 Workingberg
Commercial Building
41-47 Marble Road
North Point
Tel: +852-2561 6295
Fax: +852-2561 6772

India

ENERPAC
Hydraulics (India) Pvt Ltd
Plot No. A-571
MIDC, TTC Industrial Area
Mahape-400 701
Navi Mumbai, India
Tel: +91 22 769 47 78
Fax: +91 22 769 84 73

Italy

ENERPAC
Applied Power Italiana S.p.A.
Via Canova 4
20094 Corsico (Milano)
Tel: +39 02 4861 1110
Fax: +39 02 4860 1288

Japan

Applied Power Japan Ltd.
1-1-11, Shimomae
Toda-shi
Saitama Pref.
Japan 335-0016
Tel: +81-48-430-2311
Fax: +81-48-430-1117

Mexico

ENERPAC Applied Power
Mexico S.A. de C.V.
Avenida Principal
La Paz #100
Frac. Industrial La Paz
42092 Pachuca, Hidalgo
Tel: +52 771 337 00
Fax: +52 771 838 00

**The Netherlands, Belgium,
Luxembourg, Sweden,
Denmark, Norway, Finland,
United Kingdom, Ireland**

ENERPAC B.V.
Storkstraat 25
P.O. Box 269, 3900 AG
Veenendaal
The Netherlands
Tel: +31 318 535 911
Fax: +31 318 525 613
+31 318 535 848

UK, Ireland
Tel: +44 01527 598 900
Fax: +44 01527 585 500

Singapore

Applied Power Asia Pte Ltd
No. 8, Ang Mo Kio,
Industrial Park 2
#01-00
Singapore 569500
Thomson Road
P.O. Box 114
Singapore 915704
Tel: +65 484 5108
Fax: +65 484 5669

South Korea

ENERPAC
Applied Power Korea Ltd.
163-12 Dodang-Dong
Wonmi-Ku, Buchun-shi
Kyunggi-Do
Republic of Korea
Tel: +82 32 675 08 36
Fax: +82 32 675 30 02/73

Spain, Portugal

ENERPAC
Applied Power International S.A.
Avda. Camino de lo Cortao
21 - Nave 3
San Sebastian de los Reyes
28709 Madrid
Spain
Tel: +34 91 661 11 25
Fax: +34 91 661 47 89

**USA, Latin America
and Caribbean**

ENERPAC
P.O. Box 3241
6100 N. Baker Road
Milwaukee, WI 53209 USA
Tel: +1 262 781 6600
Fax: +1 262 783 9562

User inquiries: +1 800 433 2766

Distributor inquiries/orders: +1 800 558-0530

102501

All Enerpac products are guaranteed against defects in workmanship and materials for as long as you own them.
For your nearest authorized Enerpac Service Center, visit us at www.enerpac.com